

# MARKETING CATALOGUE

2021

**TAU**  
*Cerámica*

## ÍNDICE

## EXPOSITORES

ROMA .....	8
PISA.....	9
PISA (120x260) .....	10
KANSAS.....	11
MONTREAL .....	12
BOSTON .....	14
MILAN .....	15
LONDRES.....	16
LONDRES 10p 2400x1205.....	17
LONDRES 20p 2400x1205 .....	18
LONDRES GIRATORIO (10P) .....	19
LONDRES GIRATORIO (20P).....	19
DETROIT .....	20
DALLAS .....	21
PANELS DALLAS .....	22
OKLAHOMA.....	23
KOMORI .....	24
MARYLAND SX .....	25
MARYLAND DX.....	26
PANELES MARYLAND .....	27
AUSTIN .....	28
CHICAGO 60X120 .....	29
CHICAGO 75X75 .....	30
CHICAGO 90 .....	31
CHICAGO MULTIFORMATO.....	32
COLORADO 120X120 .....	33

COLORADO 60X120 .....	34
COLORADO 75X75 .....	35
COLORADO 90X90 .....	36
EXPOSITOR MODULAR OUTDOOR 1 .....	37
EXPOSITOR MODULAR OUTDOOR 2 .....	38
EXPOSITOR MODULAR OUTDOOR 3 .....	39
EXPOSITOR MODULAR OUTDOOR 4 .....	40
EXPOSITOR MODULAR OUTDOOR 5 .....	41
EXPOSITORES MODULARES OUTDOR .....	42
EXPOSITOR HIDRAULICOS .....	43
EXPOSITOR HEXAGONOS .....	44
EXPOSITOR TACOS OUTDOOR .....	45
MANHATTAN 60 .....	46
DISPLAYS MANHATTAN 60F .....	47
MANHATTAN 75 .....	48
MANHATTAN 90 .....	49
MANHATTAN 100 .....	50
ALFOMBRA 60 4P .....	51
ALFOMBRA 75 4P .....	52
ALFOMBRA 90 4P .....	53
MEMPHIS .....	54
MINNESOTA 33,3x100 DX .....	55
MINNESOTA 33,3x100 SX .....	56
PANELES MINNESOTA 33,3x100 .....	57
MINNESOTA 40x120 SX .....	58
PANELES MINNESOTA 40X120 .....	59
PORTAPIEZAS STAIR IRON .....	60

## DISPLAYS Y PORTADISPLAYS

SMS CART .....	62
DISPLAYS SMS .....	63
DISPLAYS SMS .....	64

DISPLAYS SMS .....	65
SMS TRAY TERRACINA .....	66
PORTADISPLAYS .....	67
DISPLAYS.....	68
MANHATTAN 90.....	69
MANHATTAN 75 .....	70
MANHATTAN 60.....	71
MANHATTAN 100 .....	72
WOODS STONES-CLAYS .....	73
DISPLAY OUTDOOR .....	73
CEMENTS .....	73
DISPLAYS MEMPHIS 30X90 .....	74
TOTEM.....	75
TOTEM 33,3X100 .....	76
DISPLAYS TOTEM 33,3X10 .....	77
TOTEM 40X120.....	78
DISPLAYS TOTEM 40X120 .....	79
TOTEM INCLINADO.....	80
TOTEM GRAN FORMATO MULTIFORMATO .....	81

## **ZONA MADERAS**

OTTAWA DX.....	84
OTTAWA SX .....	85
OTTAWA CASSETTO PANELS .....	86
QUEBEC.....	88
QUEBEC PANELS .....	89
TORONTO .....	90
TORONTO PANELS.....	91
PEINE 60 .....	92
PEINE 90 .....	93
PEINE 120.....	94
TRASERA 60 .....	95

TRASERA 90 .....	96
TRASERA 120.....	97
TRASERA 210.....	98
EXPOSITOR 25x150 WOODS .....	99
CUNA MADERAS 23x120 .....	100
CUNA MADERAS 25x150 .....	101
PORTADISPLAYS MADERA 20X75.....	102
PORTADISPLAYS 20X120 (F) .....	103
ALABAMA 12P .....	104
ALABAMA 6P .....	105

## MIX

ASA + CANTONERAS.....	107
PELDAÑERA .....	108
CAJA MAIOLICA 7,5X30.....	109
CAJA MURADA 10X40 .....	110
CAJA OUTDOOR 20 TACOS.....	111
EXPOSITOR 20x20 (120x260) .....	112
FOLDERS POR SERIE 2021 .....	113
FOLDER GENÉRICO TRÍPTICO.....	114
CARTEL COMUNICACION + KIT SOPORTE CARTEL .....	115
CARPETA 30X90.....	116
CARPETA 37,5X75.....	117
CARPETA 33,3X100.....	118
CARPETA 33,3X100 COMPOSICIONES .....	119
CARPETA 33,3X100 COMPOSICIONES .....	120
CARPETA 33,3X100 COMPOSICIONES .....	121
CARPETA GÉNESIS .....	122
PERCHERO MOSAICOS .....	123
LOGO TAU METRACRILATO NEGRO.....	124
PORTAPIEZAS ESPESORADO .....	125
PORTAPIEZAS EXTERIOR.....	126

TAU A&D BOX .....	127
TRASERA TACO .....	128
TUCSON .....	129
MESA 90x180 INFINITY ANTRACITA .....	130
MESA BAJA .....	131
MESA ALTA .....	131
MESAS CORNER .....	131

## **MERCHANDISING**

LIBRETA MOLESKINE .....	133
BOLÍGRAFOS .....	134
BOLÍGRAFO PREMIUM .....	135
LÁPICES .....	136
BLOC DE NOTAS .....	137
BOTELLA METAL .....	138
CAMISETAS TAU 2021 .....	139
CAMISETAS ASCALE 2021 .....	140

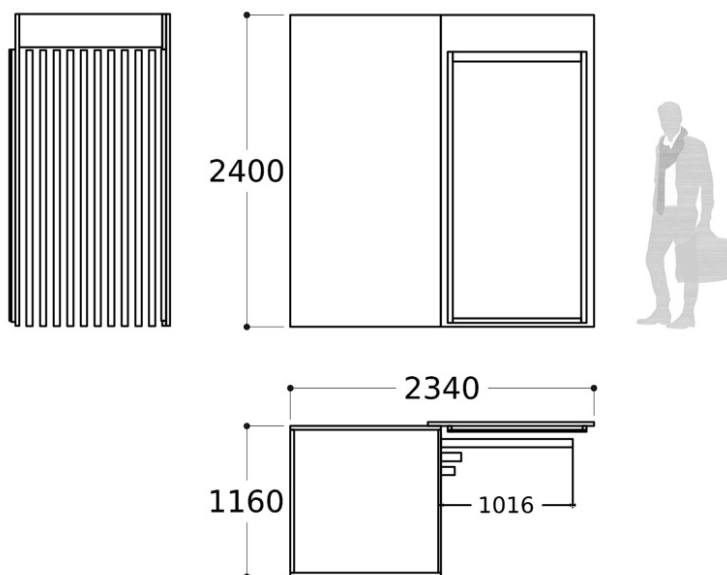
## **CATÁLOGOS 2021**

PORCELAIN .....	142
WALL TILE .....	143
MUST .....	144
NOVEDADES .....	145
BIG SIZES .....	146
OUTDOOR .....	147

# EXPOSITORES

---

TUEXP\_14 ROMA



#### EXHIBITOR PACKING

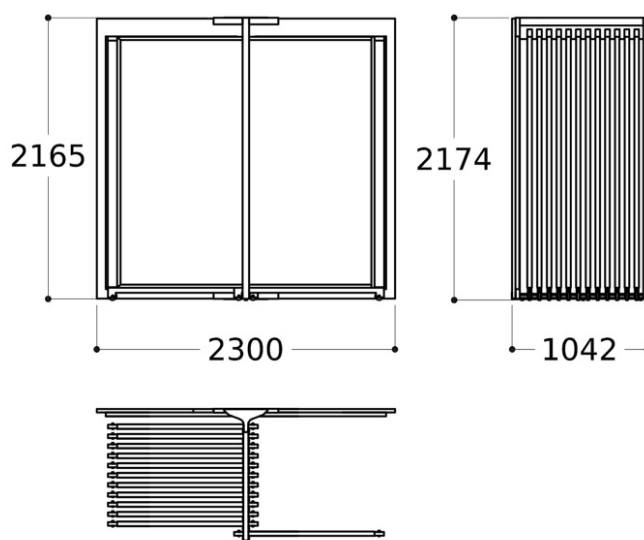
MODEL	*PRICE (€)	N. PANELS	PANEL SIZE (mm)	LENGHT (mm)	WIDTH (mm)	HEIGHT (mm)	WEIGHT (Kg)
ROMA	1890	10+1	1924x1005	2480	1340	1360	750

\*Panels not included

VOLVER AL ÍNDICE  
RETURN TO INDEX



TUEXP\_17 PISA



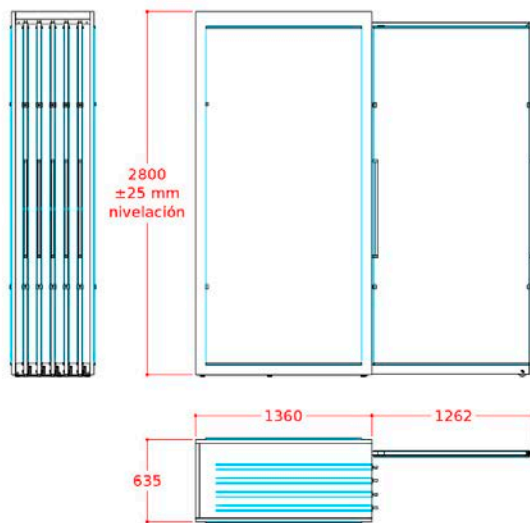
## EXHIBITOR PACKING

MODEL	*PRICE (€)	N. PANELS	PANEL SIZE (mm)	LENGHT (mm)	WIDTH (mm)	HEIGHT (mm)	WEIGHT (Kg)
PISA	1434	12+2	1924x1005	2260	1240	810	500

\*Panels not included

VOLVER AL ÍNDICE  
RETURN TO INDEX

TUEXP\_96 PISA (120x260)



14 MODELOS  
PIEZAS 2600x1200x6mm



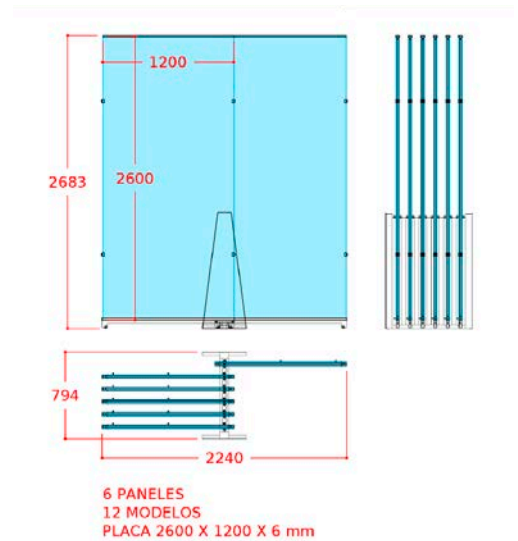
#### EXHIBITOR PACKING

MODEL	*PRICE (€)	N. PANELS	PANEL SIZE (mm)	LENGHT (mm)	WIDTH (mm)	HEIGHT (mm)	WEIGHT (Kg)
PISA (120x260)	1762,8	12+2	2600x1200	2740	1430	830	875

\*Panels not included

VOLVER AL ÍNDICE  
RETURN TO INDEX

TUEXP\_105 KANSAS



### EXHIBITOR PACKING

MODEL	*PRICE (€)	N. PANELS	PIECES FORMAT	LENGHT (mm)	WIDTH (mm)	HEIGHT (mm)	WEIGHT (Kg)
KANSAS	1557	12	120x260 (6mm)	2900	1410	1200	150

\*Panels not included

VOLVER AL ÍNDICE  
RETURN TO INDEX

TUEXP\_24 MONTREAL



### EXHIBITOR PACKING

MODEL	*PRICE (€)	N. PANELS	PANEL SIZE (mm)	LENGHT (mm)	WIDTH (mm)	HEIGHT (mm)	WEIGHT (Kg)
EXPOSITOR MONTREAL	187,6	2	1200X2600 1000X3000	900	1080	48	155

\*Panels not included

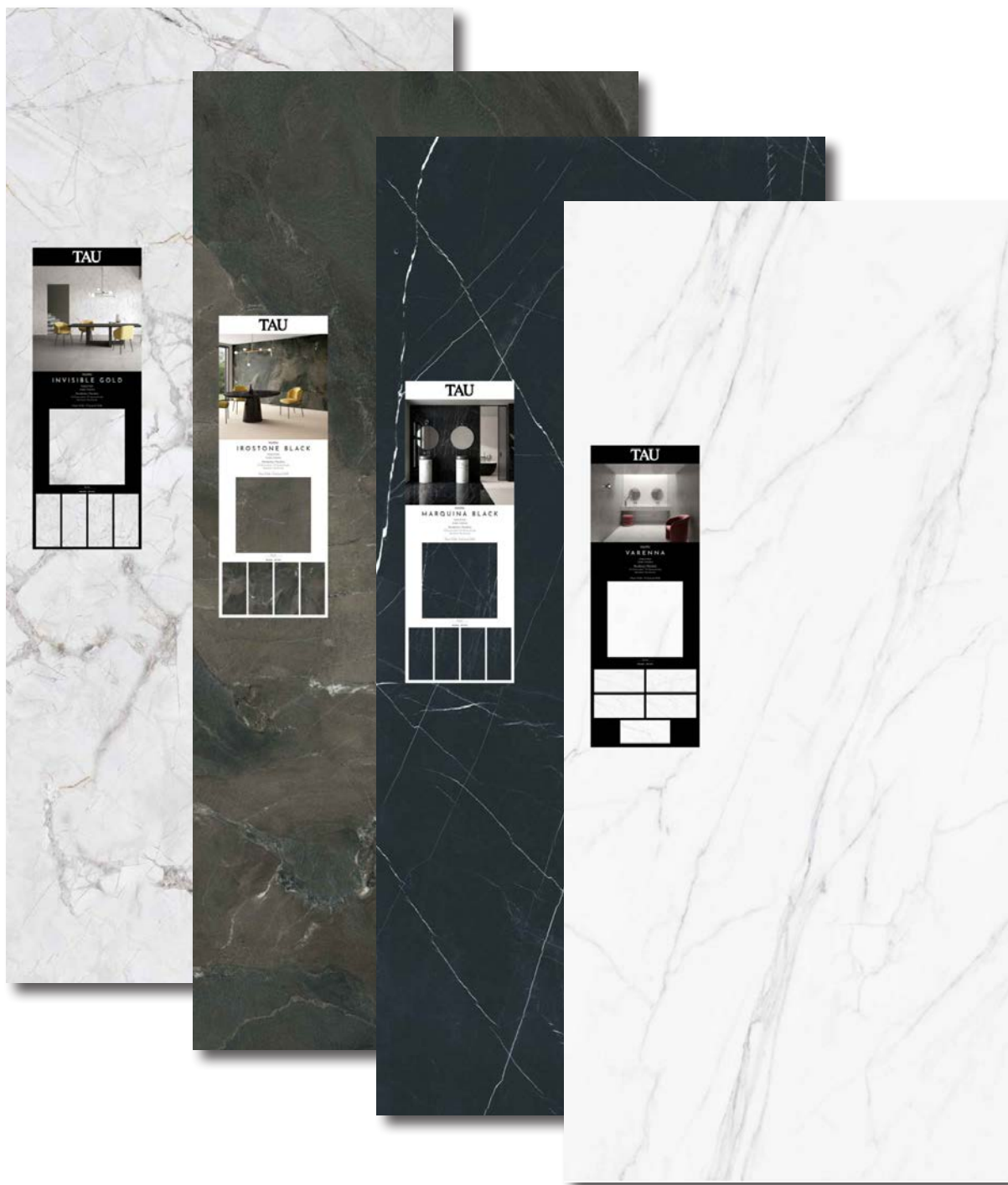
VOLVER AL ÍNDICE  
RETURN TO INDEX

120x260

TAU

TU3C..

CARTELAS 120X260

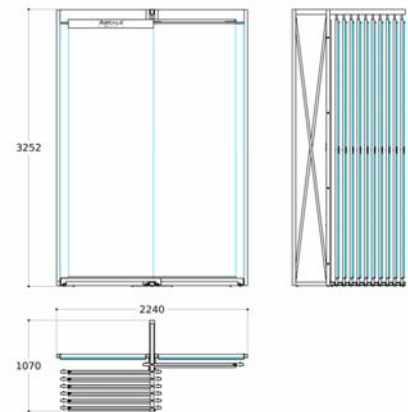


MODEL	*PRICE (€)	PANEL SIZE (mm)	WEIGHT (Kg)
CARTELAS 120X260	18,4	1200X2600	1

\*Panels not included

VOLVER AL ÍNDICE  
RETURN TO INDEX

TUEXP\_25 BOSTON



7+2 paneles con iman  
3000 x 1000 x 6 mm



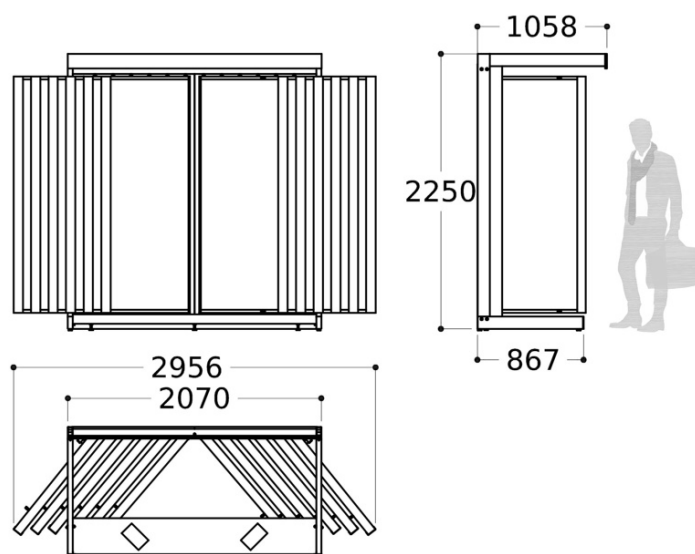
### EXHIBITOR PACKING

MODEL	*PRICE (€)	N. PANELS	PANEL SIZE (mm)	LENGHT (mm)	WIDTH (mm)	HEIGHT (mm)	WEIGHT (Kg)
BOSTON	2430	7+2	1200x2600	1070	2240	2852	495

\*Panels not included

VOLVER AL ÍNDICE  
RETURN TO INDEX

TUEXP\_15 MILAN



#### EXHIBITOR PACKING

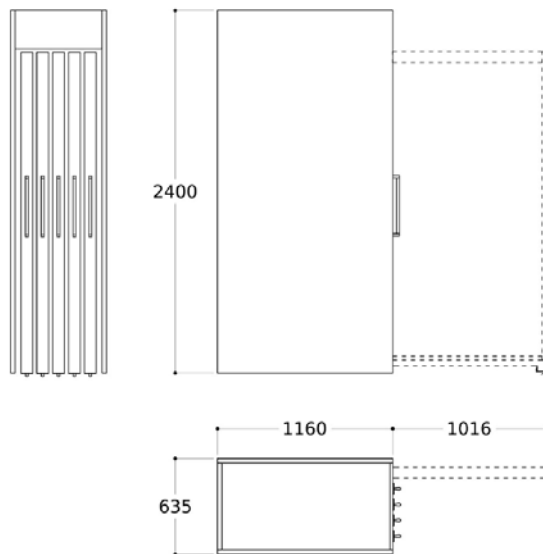
MODEL	*PRICE (€)	N. PANELS	PANEL SIZE (mm)	LENGHT (mm)	WIDTH (mm)	HEIGHT (mm)	WEIGHT (Kg)
MILAN	1242	12x2=24	1924x1005	2300	1240	1200	485

\*Panels not included

TUEXP\_18 LONDRES



5 PANELES 1924 X 1005 mm  
10 MODELOS



5 PANELES 1924 X 1005 mm  
10 MODELOS

#### EXHIBITOR PACKING

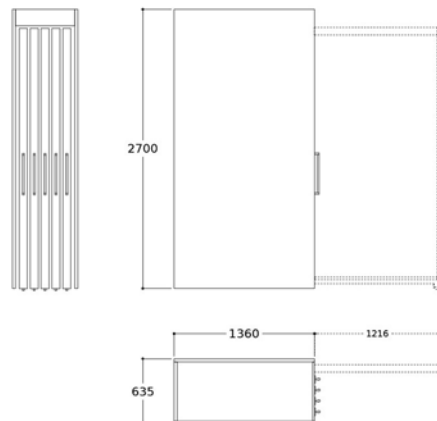
MODEL	*PRICE (€)	N. PANELS	PANEL SIZE (mm)	LENGHT (mm)	WIDTH (mm)	HEIGHT (mm)	WEIGHT (Kg)
LONDRES	1296	10	1924x1005	2480	700	1380	425

\*Panels not included

VOLVER AL ÍNDICE  
RETURN TO INDEX



TUEXP\_0M LONDRES 10p 2400x1205



5 PANELES  
10 MODELOS 2400 X 1205 mm

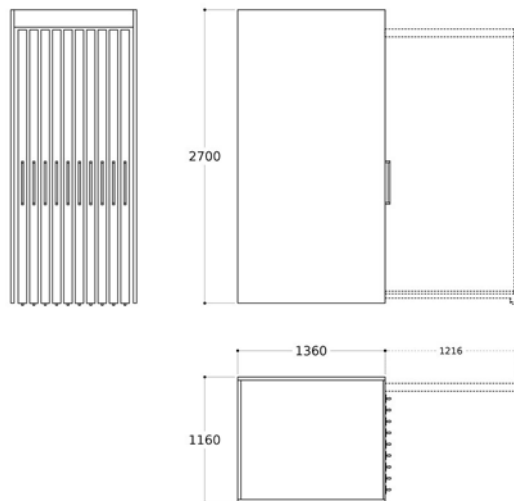
## EXHIBITOR PACKING

MODEL	*PRICE (€)	N. PANELS	PANEL SIZE (mm)	LENGHT (mm)	WIDTH (mm)	HEIGHT (mm)	WEIGHT (Kg)
LONDRES 5p	-	10	2400x1205	635	1360	2700	425

\*Panels not included

VOLVER AL ÍNDICE  
RETURN TO INDEX

TUEXP\_0M LONDRES 20p 2400x1205



## EXHIBITOR PACKING

MODEL	*PRICE (€)	N. PANELS	PANEL SIZE (mm)	LENGHT (mm)	WIDTH (mm)	HEIGHT (mm)	WEIGHT (Kg)
LONDRES 10p	-	20	2400x1205	1160	1360	2700	425

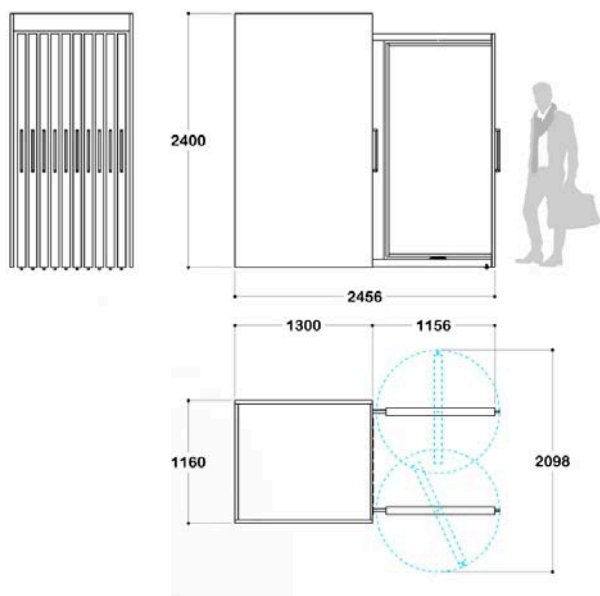
\*Panels not included

VOLVER AL ÍNDICE  
RETURN TO INDEX

# EXPOSITORES

TUEXP\_98 LONDRES GIRATORIO (10P)

TUEXP\_99 LONDRES GIRATORIO (20P)



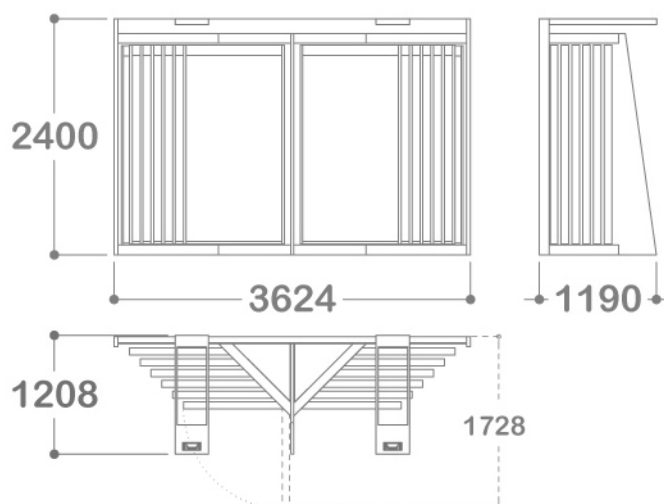
## EXHIBITOR PACKING

MODEL	*PRICE (€)	N. PANELS	PANEL SIZE (mm)	LENGHT (mm)	WIDTH (mm)	HEIGHT (mm)	WEIGHT (Kg)
LONDRES GIRATORIO 10P	2004	10	2400x1200	2780	700	1580	425
LONDRES GIRATORIO 20P	3264	20	2400x1200	2780	1000	1580	600

\*Panels not included

VOLVER AL ÍNDICE  
RETURN TO INDEX

TUEXP\_30 DETROIT



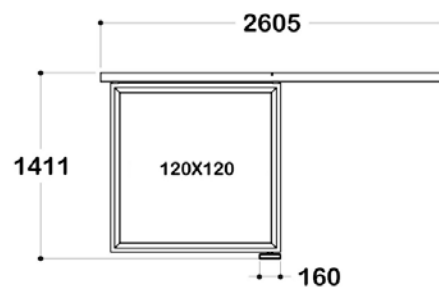
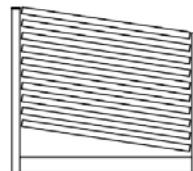
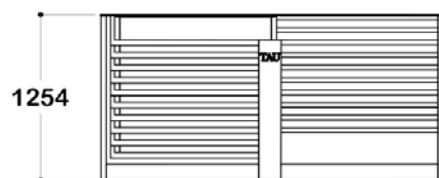
### EXHIBITOR PACKING

MODEL	*PRICE (€)	N. PANELS	PANEL SIZE (mm)	LENGHT (mm)	WIDTH (mm)	HEIGHT (mm)	WEIGHT (Kg)
DETROIT	2130	24+2	1924x1005	1380	1170	2300	550

\*Panels not included

VOLVER AL ÍNDICE  
RETURN TO INDEX

TUEXP\_34 DALLAS



10 Pieces 120x120 or 10 Panels 120x120

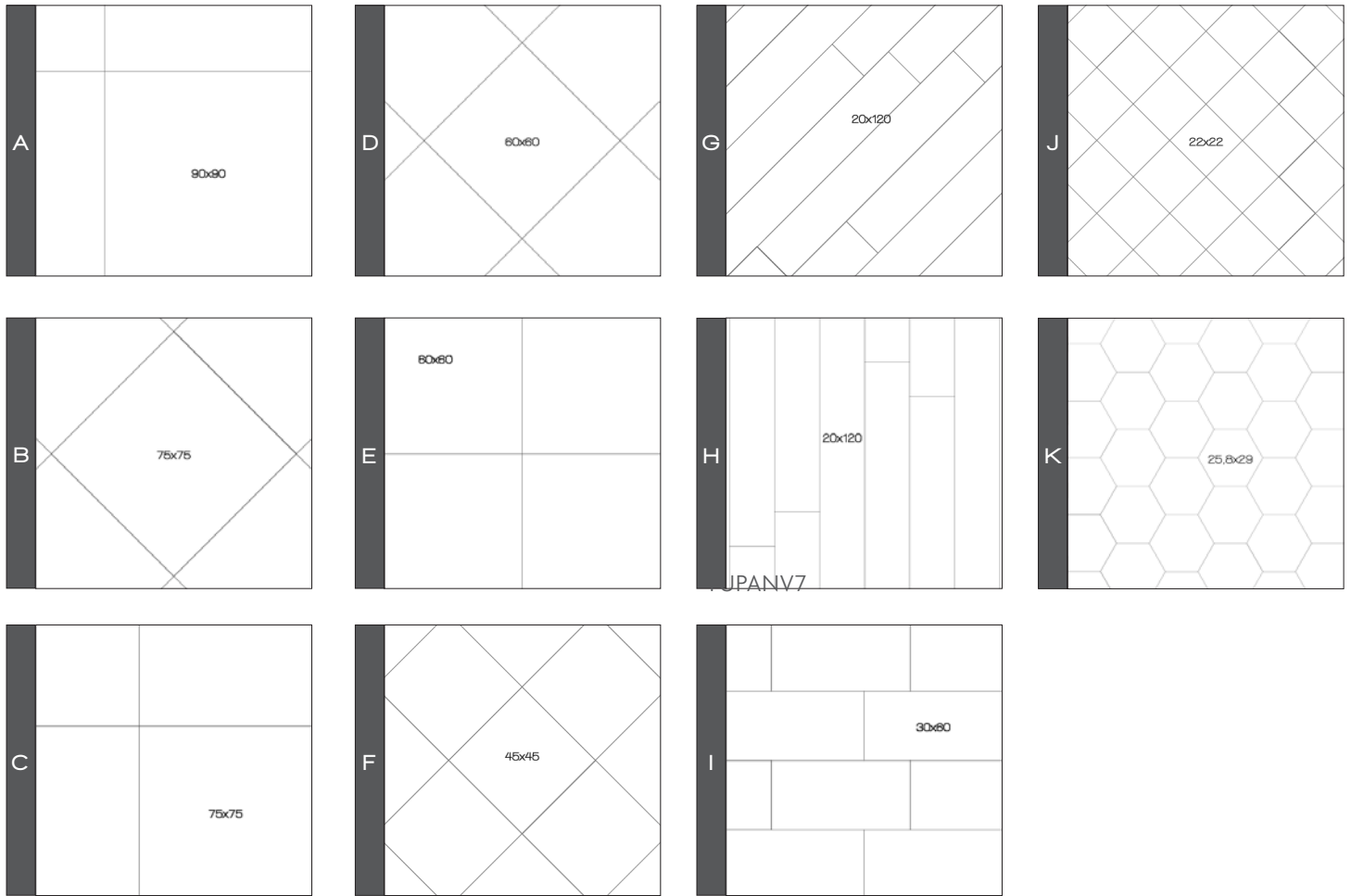
#### EXHIBITOR PACKING

MODEL	*PRICE (€)	N. PANELS	PANEL SIZE (mm)	LENGHT (mm)	WIDTH (mm)	HEIGHT (mm)	WEIGHT (Kg)
DALLAS	1404	10	120x120	2800	1440	730	550

\*Panels not included

## TUPANV

## PANELS DALLAS Esquemas de chapado / Laying Plans

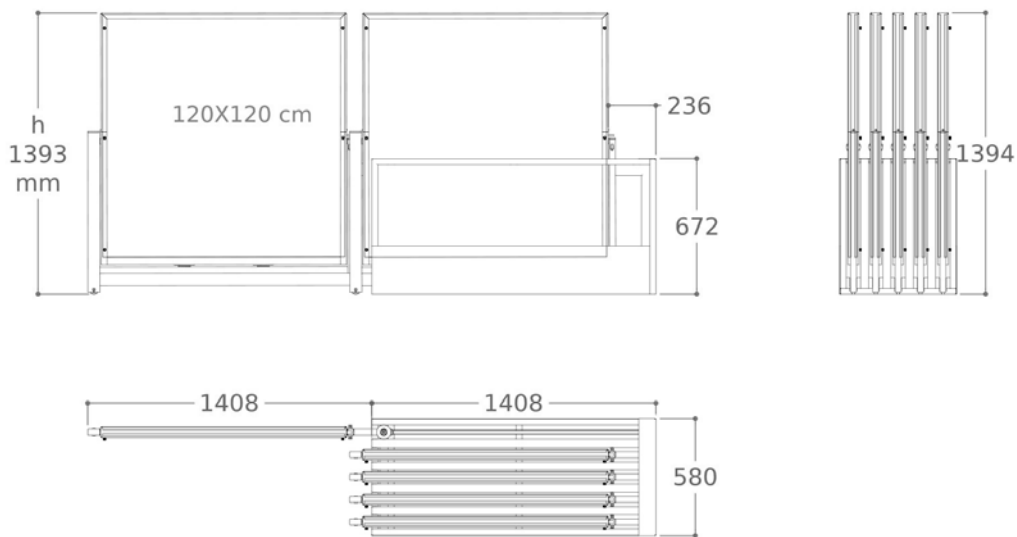
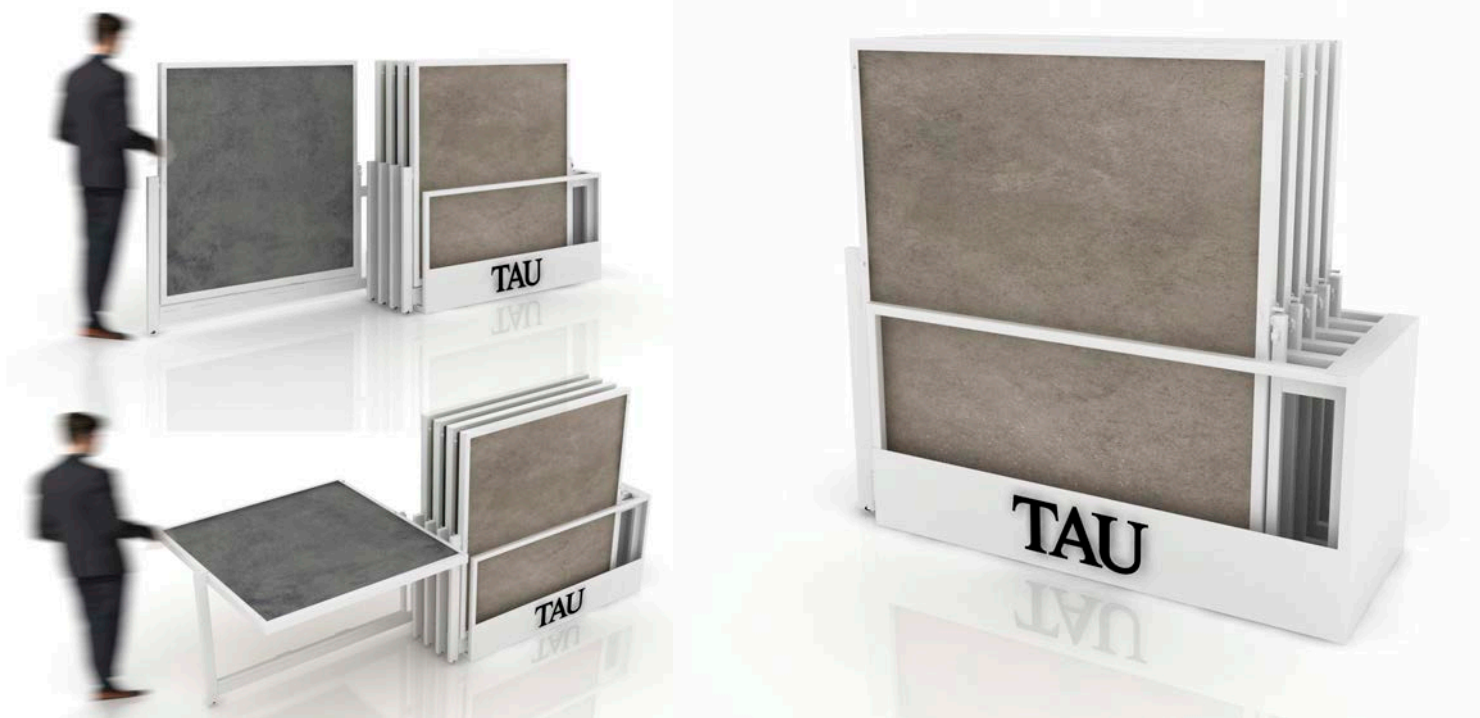


COD	ITEM	*PRICE (€)
TUPANV	PANEL ESTÁNDAR 1005x1924	900x1800
TUPANV1	PANEL 2000X1000 (e:13mm)	51,81
TUPANV4	PANEL 1005X1005 (e:13mm)	35,49
TUPANV6	PANEL 1005X1005 (e:15mm)	36,05
TUPANV7	PANEL 1200X1005 (e:13mm)	36,54
TUPANV8	PANEL 1200X2400 VACIO	67,55
TUPANV9	PANEL 1200X1200 (e:10mm)	38,26
TUPANV3	PANEL 1200X1200 (e:13mm)	39,93
TUPANV2	PANEL 1200X1200 (e:15mm)	41,25
TUPANV5	PANEL MEDIDA CLIENTE	-

\*Estimated price pieces included

VOLVER AL ÍNDICE  
RETURN TO INDEX

TUEXP\_67 OKLAHOMA



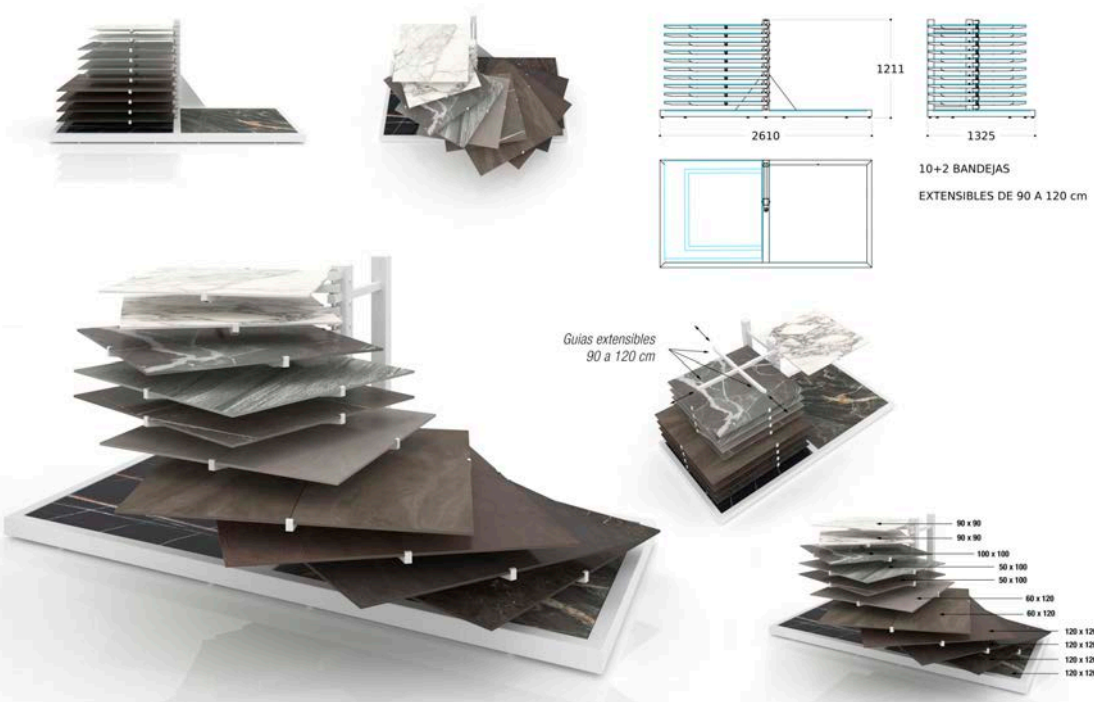
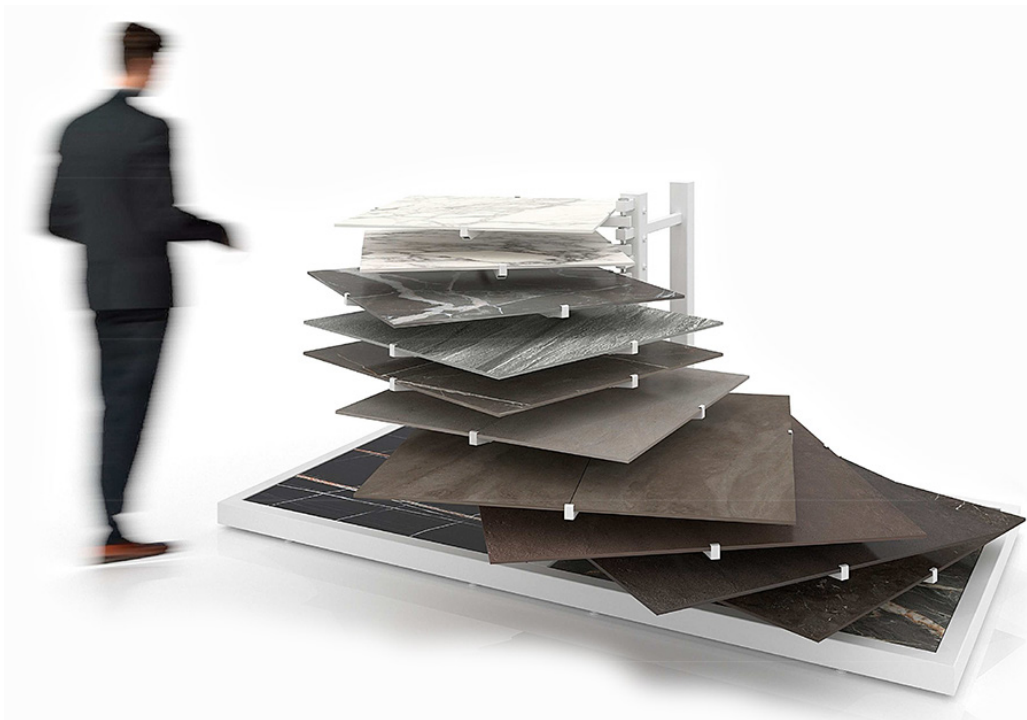
### EXHIBITOR PACKING

MODEL	*PRICE (€)	N. PANELS	PANEL SIZE (mm)	LENGHT (mm)	WIDTH (mm)	HEIGHT (mm)	WEIGHT (Kg)
OKLAHOMA	1302	10	1200x1200 (e: 10mm)	1540	640	1550	300

\*Panels not included

VOLVER AL ÍNDICE  
RETURN TO INDEX

TUEXP\_102 KOMORI



### EXHIBITOR PACKING

MODEL	*PRICE (€)	N. PANELS	FORMATS (cm)	LENGHT (mm)	WIDTH (mm)	HEIGHT (mm)	WEIGHT (Kg)
KOMORI	1700,4	10+2	90x90/60x120 120x120	-	-	-	-

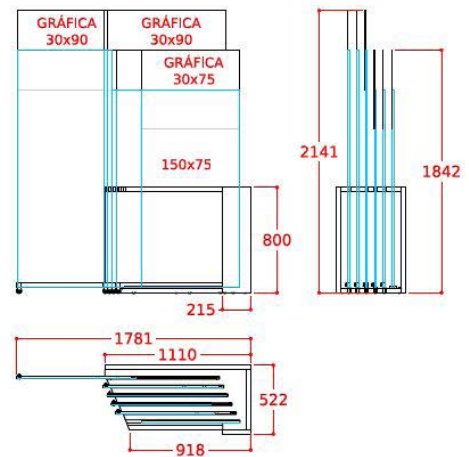
\*Panels not included

VOLVER AL ÍNDICE  
RETURN TO INDEX



TUEXP\_75

MARYLAND SX Apertura izquierda / Left opening



Sólo disponible para Paneles MARYLAND -formatos de 90x180 / 75x150-  
Only available for MARYLAND Panels -90x180 / 75x150 formats-

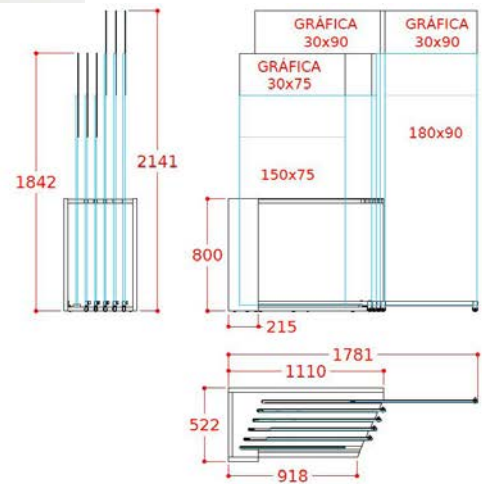
## EXHIBITOR PACKING

MODEL	*PRICE (€)	N. PANELS	PANELS	LENGHT (mm)	WIDTH (mm)	HEIGHT (mm)	WEIGHT (Kg)
MARYLAND	455,52	6	MARYLAND	1165	850	225	88

\*Panels not included

TUEXP\_76

MARYLAND DX Apertura derecha / Right opening



Sólo disponible para Paneles MARYLAND -formatos de 90x180 / 75x150-  
Only available for MARYLAND Panels -90x180 / 75x150 formats-

## EXHIBITOR PACKING

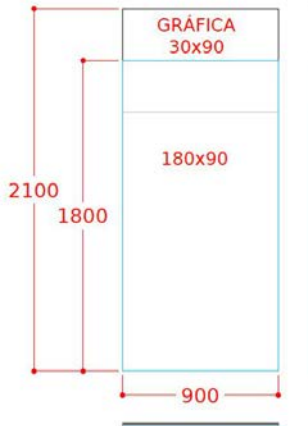
MODEL	*PRICE (€)	N. PANELS	PANELS	LENGHT (mm)	WIDTH (mm)	HEIGHT (mm)	WEIGHT (Kg)
MARYLAND	455,52	6	MARYLAND	1165	850	225	88

\*Panels not included

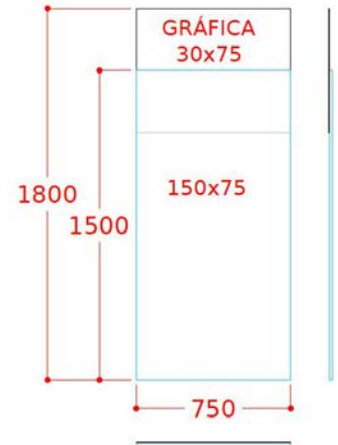
VOLVER AL ÍNDICE  
RETURN TO INDEX

TU3PT...

PANELES MARYLAND



COD.	ITEM
TU3PT31	PST MARYLAND SOAPSTONE GRAPHITE N.
TU3PT32	PST MARYLAND SOAPSTONE SILVER N.
TU3PT33	PST MARYLAND MILLERIGHE SILVER P.
TU3PT34	PST MARYLAND TORANO STATUARIO N.
TU3PT35	PST MARYLAND VARESE ONICE P.
TU3PT37	PST MARYLAND SOAPSTONE TAN P.
TU3PT39	PST MARYLAND BELCASTEL GRAPHITE N.
TU3PT50	PST MARYLAND TORANO STATUARIO P.
TU3PT51	PST MARYLAND SOAPSTONE WHITE P.
TU3PT52	PST MARYLAND SOAPSTONE SILVER P.
TU3PT53	PST MARYLAND SOAPSTONE GRAPHITE P.
TU3PT54	PST MARYLAND SOAPSTONE GRAY P.



COD.	ITEM
TU3PT21	PST MARYLAND PALOMASTONE GRAPHITE
TU3PT22	PST MARYLAND PALOMASTONE WHITE
TU3PT23	PST MARYLAND PALOMASTONE SILVER
TU3PT24	PST MARYLAND ALTAMURA PEARL NAT.
TU3PT25	PST MARYLAND EMPORIO PUL.
TU3PT26	PST MARYLAND ALTAMURA GRAY PUL.
TU3PT27	PST MARYLAND BARANELLO WHITE PUL.
TU3PT28	PST MARYLAND DOZZA WHITE PUL.
TU3PT29	PST MARYLAND ROADSTONE LINEN
TU3PT30	PST MARYLAND COSMOPOLITA GRAY
TU3PT36	PST MARYLAND ALTAMURA PEARL P.
TU3PT38	PST MARYLAND ROADSTONE SILVER

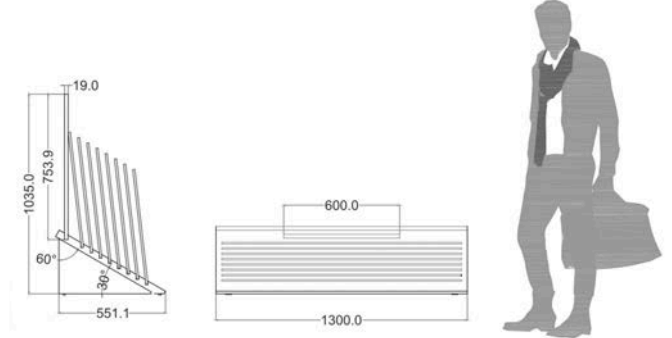


MODEL	*PRICE (€)	PIECES FORMAT	PANELS FORMAT
MARYLAND 90X180	59,66	90X180	900X210
MARYLAND 75X150	47,304	75X150	750X1800

\*Estimated price pieces included

VOLVER AL ÍNDICE  
RETURN TO INDEX

TUEXP\_19 AUSTIN



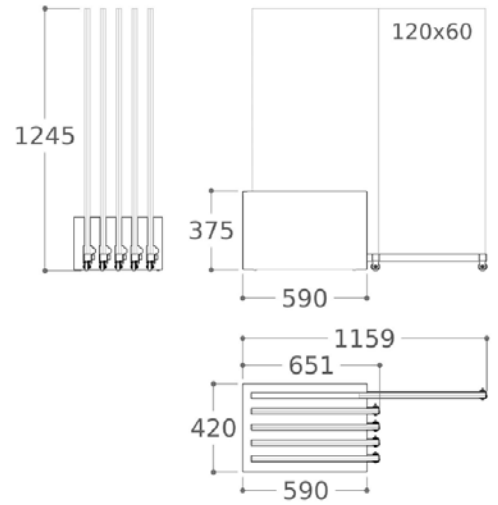
### EXHIBITOR PACKING

MODEL	*PRICE (€)	N. GROOVES	PANEL SIZE (mm)	LENGHT (mm)	WIDTH (mm)	HEIGHT (mm)	WEIGHT (Kg)
AUSTIN	124,20	8	16	1315	558	300	35

\*Panels not included

VOLVER AL ÍNDICE  
RETURN TO INDEX

TUEXP\_69 CHICAGO 60X120

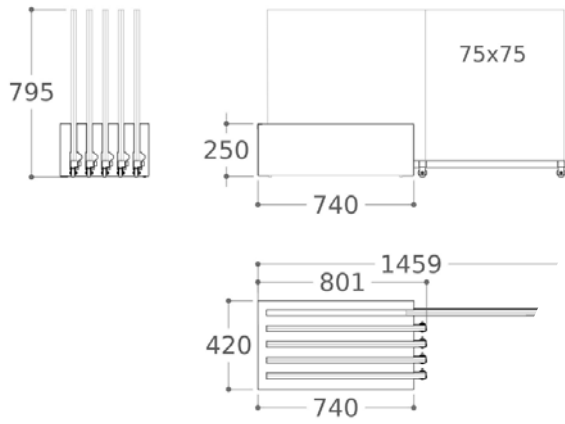


## EXHIBITOR PACKING

MODEL	*PRICE (€)	N. PANELS	PANEL SIZE (mm)	LENGHT (mm)	WIDTH (mm)	HEIGHT (mm)	WEIGHT (Kg)
CHICAGO 60X120	288	10	60X120	710	480	530	58

\*Panels not included

TUEXP\_70 CHICAGO 75X75

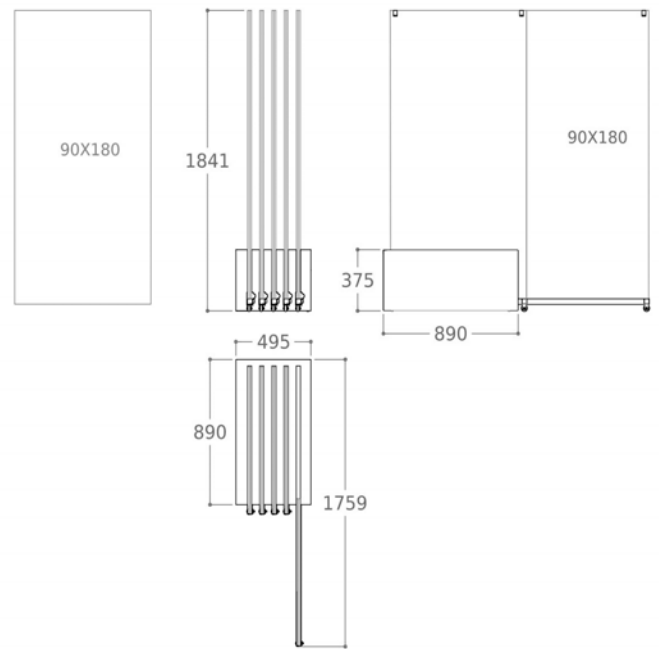


### EXHIBITOR PACKING

MODEL	*PRICE (€)	N. PANELS	PANEL SIZE (mm)	LENGHT (mm)	WIDTH (mm)	HEIGHT (mm)	WEIGHT (Kg)
CHICAGO 75X75	306	10	75X75	860	480	400	80

\*Panels not included

TUEXP\_68 CHICAGO 90

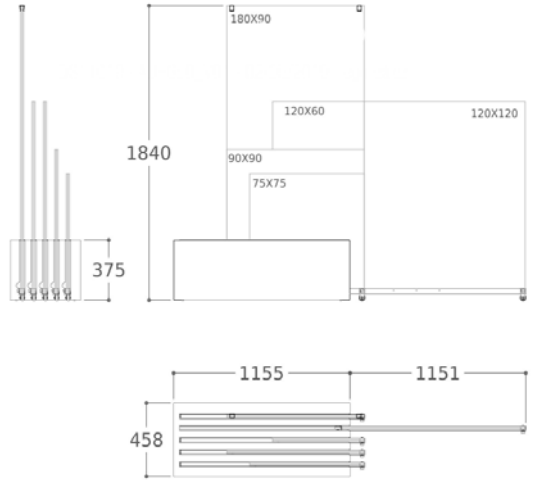
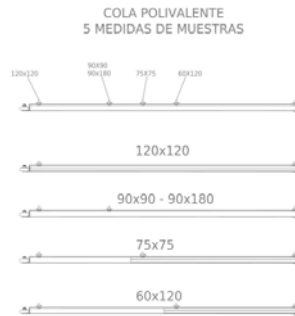


### EXHIBITOR PACKING

MODEL	*PRICE (€)	N. PANELS	PANEL SIZE (mm)	LENGHT (mm)	WIDTH (mm)	HEIGHT (mm)	WEIGHT (Kg)
CHICAGO 90	372	10	90X180 / 90X90	1040	550	530	82

\*Panels not included

## TUEXP\_63 CHICAGO MULTIFORMATO



### EXHIBITOR PACKING

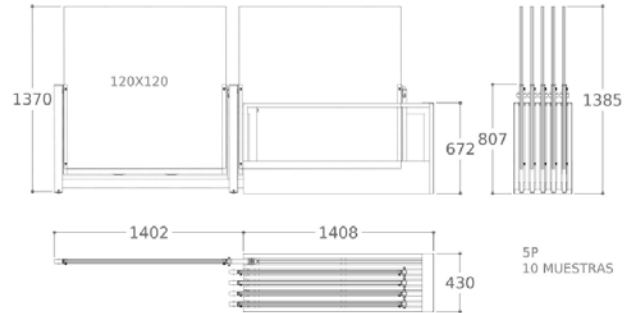
MODEL	*PRICE (€)	N. PANELS	PIECES FORMATS	LENGHT (mm)	WIDTH (mm)	HEIGHT (mm)	WEIGHT (Kg)
CHICAGO MULTIFOR- MATO	430,56	10	90X180 / 90X90 120X120 / 60X120 75X75 / 75X150	1310	510	530	100

\*Panels not included

VOLVER AL ÍNDICE  
RETURN TO INDEX



TUEXP\_36 COLORADO 120X120



## EXHIBITOR PACKING

MODEL	*PRICE (€)	N. PANELS	PIECES FORMATS	LENGHT (mm)	WIDTH (mm)	HEIGHT (mm)	WEIGHT (Kg)
COLORADO 120X120	860.40	10	120x120	1640	840	1710	315

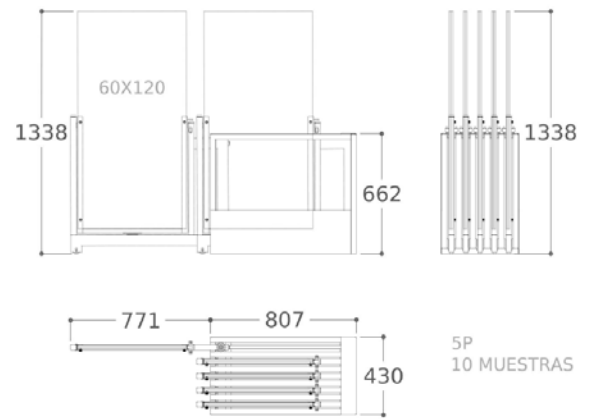
\*Panels not included

VOLVER AL ÍNDICE  
RETURN TO INDEX

# EXPOSITORES

# TAU

TUEXP\_1 COLORADO 60X120



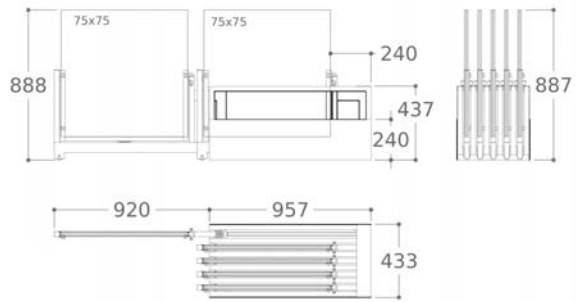
## EXHIBITOR PACKING

MODEL	*PRICE (€)	N. PANELS	PIECES FORMATS	LENGHT (mm)	WIDTH (mm)	HEIGHT (mm)	WEIGHT (Kg)
COLORADO	642	10	60X120	940	530	920	125

\*Panels not included

VOLVER AL ÍNDICE  
RETURN TO INDEX

TUEXP\_2 COLORADO 75X75



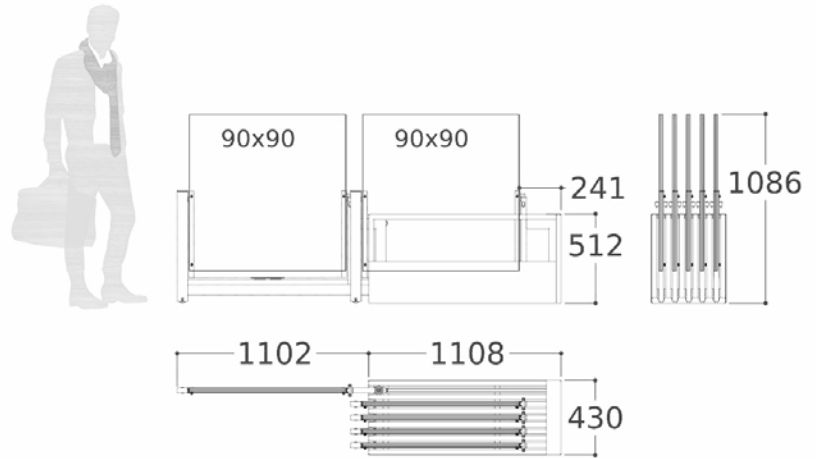
### EXHIBITOR PACKING

MODEL	*PRICE (€)	N. PANELS	PIECES FORMATS	LENGHT (mm)	WIDTH (mm)	HEIGHT (mm)	WEIGHT (Kg)
COLORADO 75X75	618	10	75X75	1100	530	700	120

\*Panels not included

VOLVER AL ÍNDICE  
RETURN TO INDEX

TUEXP\_60 COLORADO 90X90



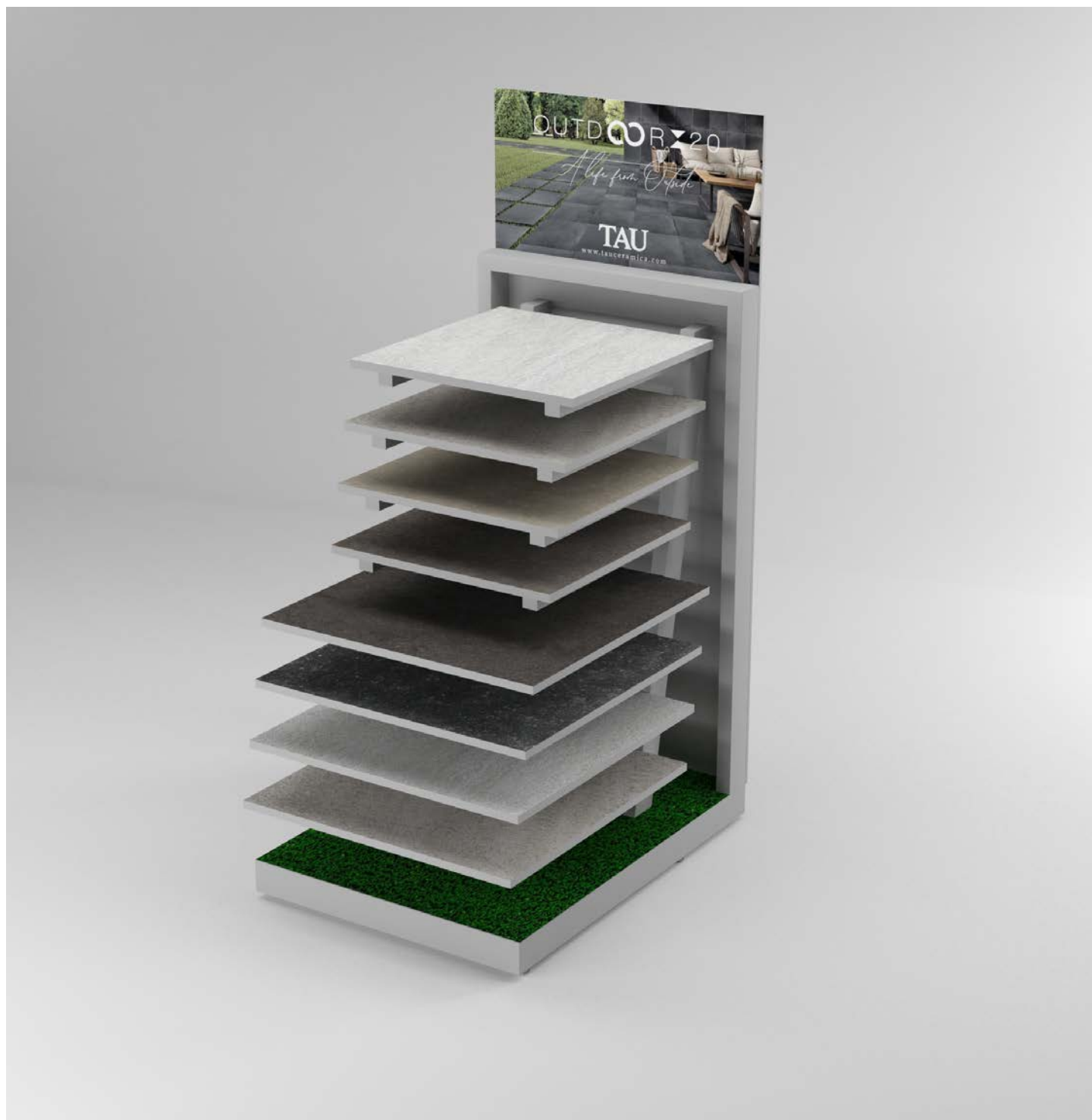
### EXHIBITOR PACKING

MODEL	*PRICE (€)	N. PIECES	PIECES FORMATS	LENGHT (mm)	WIDTH (mm)	HEIGHT (mm)	WEIGHT (Kg)
COLORADO 90X90	657.60	10	90X90	1240	485	780	115

\*Panels not included

VOLVER AL ÍNDICE  
RETURN TO INDEX

## TUEXP\_83 EXPOSITOR MODULAR OUTDOOR 1



### EXHIBITOR PACKING

MODEL	*PRICE (€)	N. PANELS	PANEL SIZE (mm)	LENGHT (mm)	WIDTH (mm)	HEIGHT (mm)	WEIGHT (Kg)
OUTDOOR MÓDULO 1	452,4	8	75X75 60X60	1031	755	1783	-

\*Panels not included

VOLVER AL ÍNDICE  
RETURN TO INDEX

## TUEXP\_84 EXPOSITOR MODULAR OUTDOOR 2



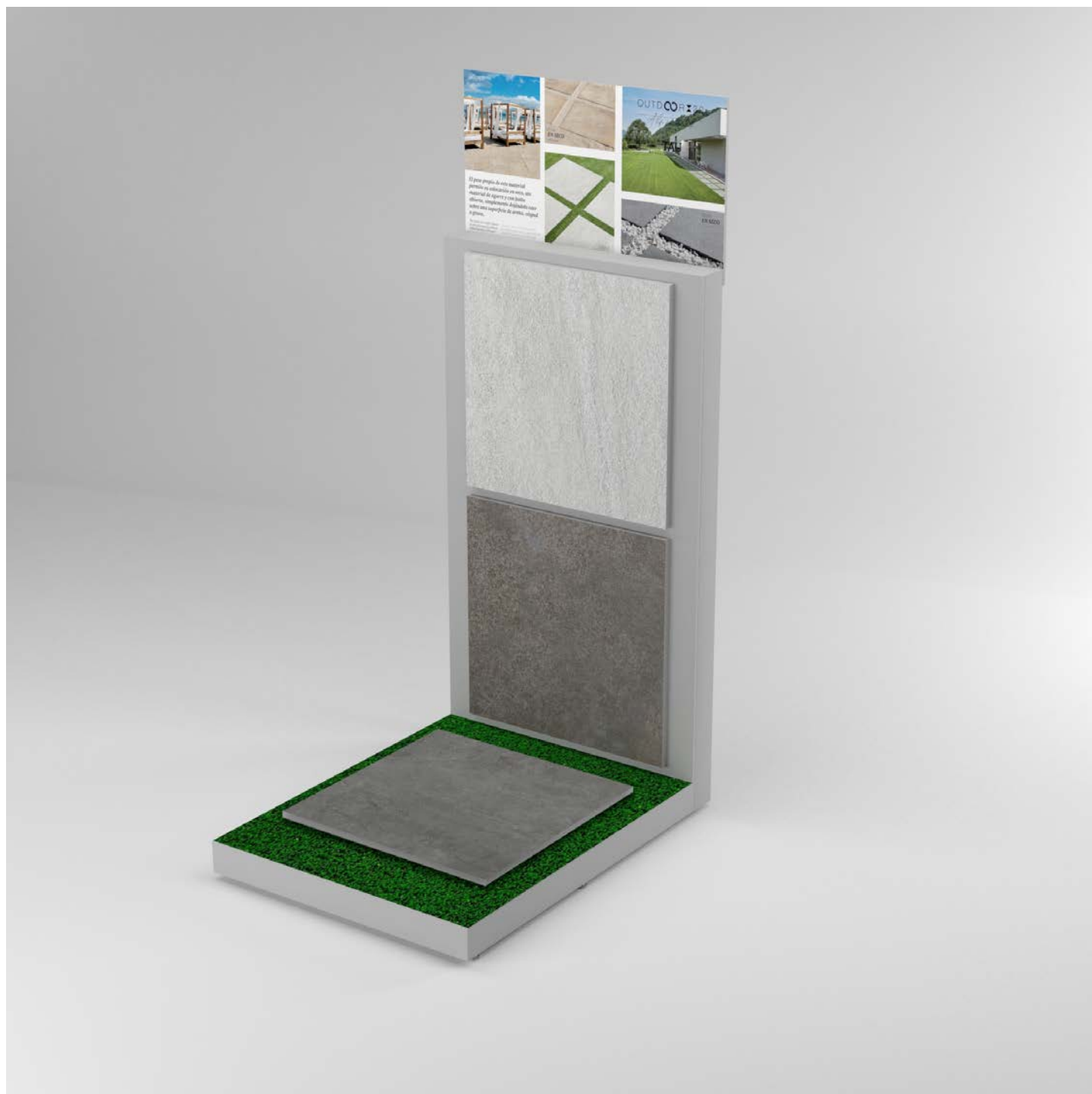
### EXHIBITOR PACKING

MODEL	*PRICE (€)	N. PANELS	PANEL SIZE (mm)	LENGHT (mm)	WIDTH (mm)	HEIGHT (mm)	WEIGHT (Kg)
OUTDOOR MÓDULO 2	290,4	1	75X75	1031	755	1783	-

\*Panels not included

VOLVER AL ÍNDICE  
RETURN TO INDEX

## TUEXP\_85 EXPOSITOR MODULAR OUTDOOR 3



### EXHIBITOR PACKING

MODEL	*PRICE (€)	N. PANELS	PANEL SIZE (mm)	LENGHT (mm)	WIDTH (mm)	HEIGHT (mm)	WEIGHT (Kg)
MÓDULO OUTDOOR 3	286,8	3	75X75 60X60	1031	755	1783	-

\*Panels not included

VOLVER AL ÍNDICE  
RETURN TO INDEX

TUEXP\_86 EXPOSITOR MODULAR OUTDOOR 4



### EXHIBITOR PACKING

MODEL	*PRICE (€)	N. PANELS	PANEL SIZE (mm)	LENGHT (mm)	WIDTH (mm)	HEIGHT (mm)	WEIGHT (Kg)
MÓDULO OUTDOOR 4	244,2	7	30X120	1031	700	1783	-

\*Panels not included

VOLVER AL ÍNDICE  
RETURN TO INDEX



## TUEXP\_87 EXPOSITOR MODULAR OUTDOOR 5



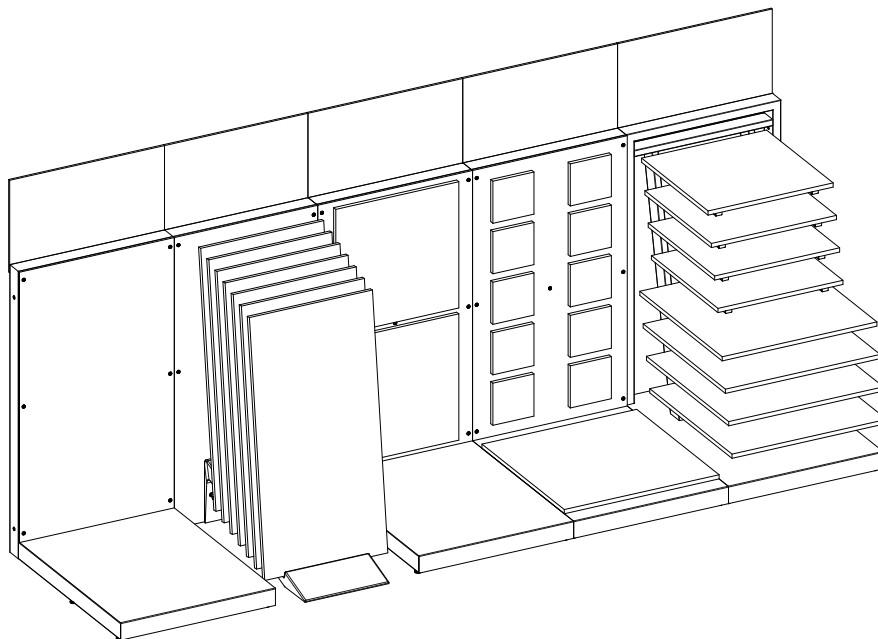
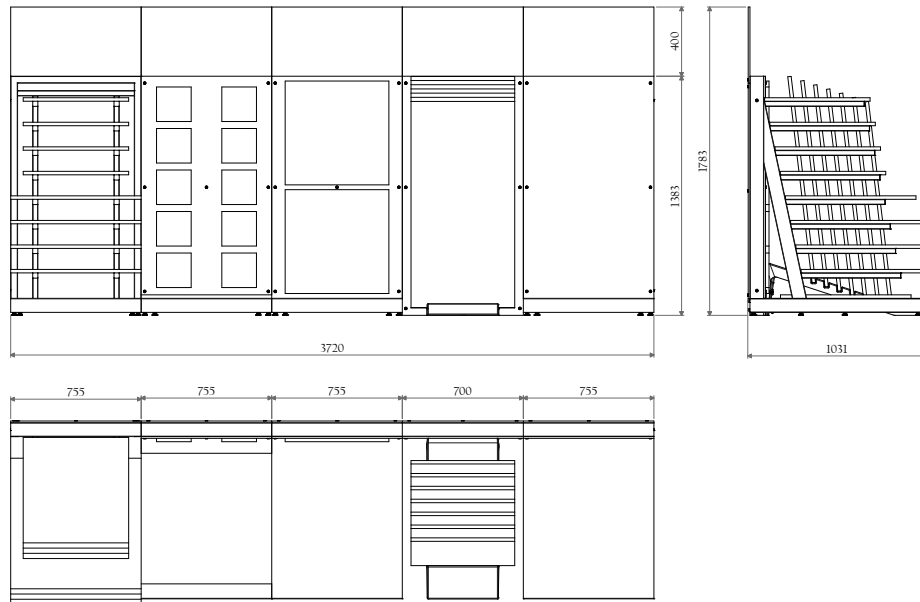
### EXHIBITOR PACKING

MODEL	*PRICE (€)	N. PIECES	PANEL SIZE (mm)	LENGHT (mm)	WIDTH (mm)	HEIGHT (mm)	WEIGHT (Kg)
MÓDULO OUTDOOR 5	288	-	-	1031	755	1783	-

\*Panels not included

VOLVER AL ÍNDICE  
RETURN TO INDEX

## EXPOSITORES MODULARES OUTDOOR



Combine libremente nuestros módulos para crear su propio espacio TAU OUTDOOR

Combine freely our modular elements to create your own TAU OUTDOOR space



MODEL	*PRICE (€)	PANEL SIZE (mm)	WEIGHT (Kg)
EXPOSITOR HIDRAULICOS	63,8	20X20	35

\*Panels not included

VOLVER AL ÍNDICE  
RETURN TO INDEX



MODEL	*PRICE (€)	PANEL SIZE (mm)	WEIGHT (Kg)
EXPOSITOR HEXAGONOS	51,7	20X20	35

\*Panels not included

TUEXP\_108 EXPOSITOR TACOS OUTDOOR

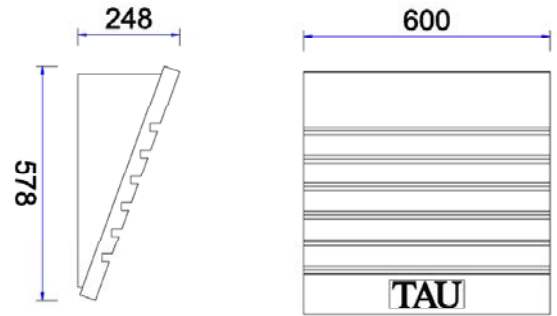


MODEL	*PRICE (€)	PANEL SIZE (mm)	WEIGHT (Kg)
EXPOSITOR HEXAGONOS	48.9	10X10	19 NETO / 40 BRUTO

\*Panels not included

VOLVER AL ÍNDICE  
RETURN TO INDEX

TUEXP\_55 MANHATTAN 60



Sólo disponible con displays Manhattan 60  
 Only available for Manhattan 90 handboards

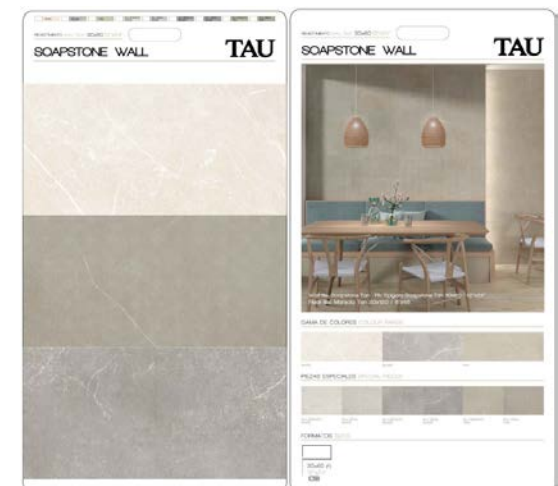
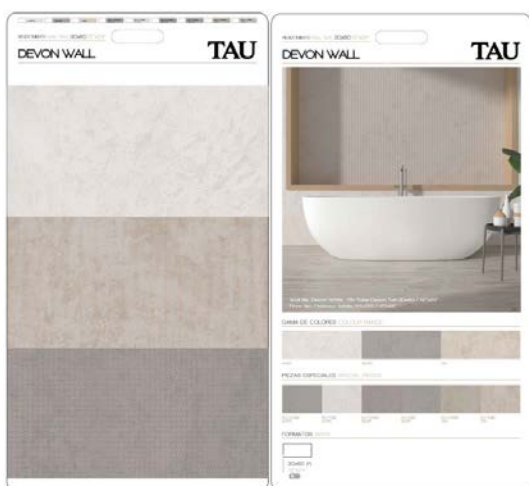
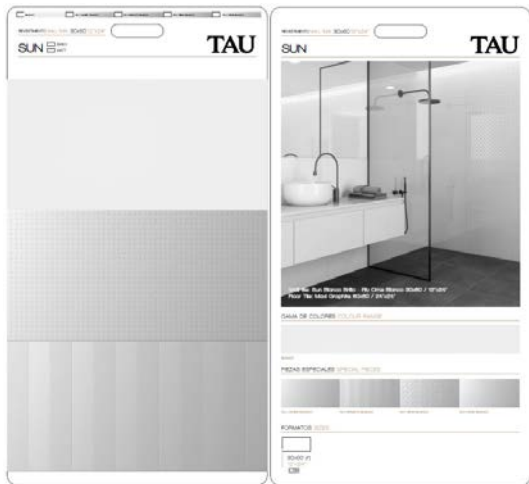
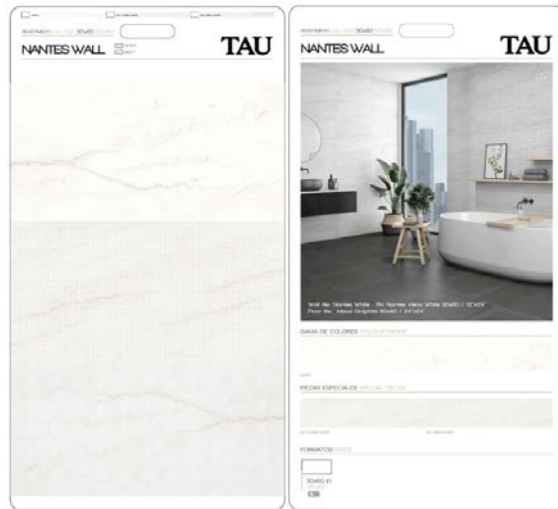
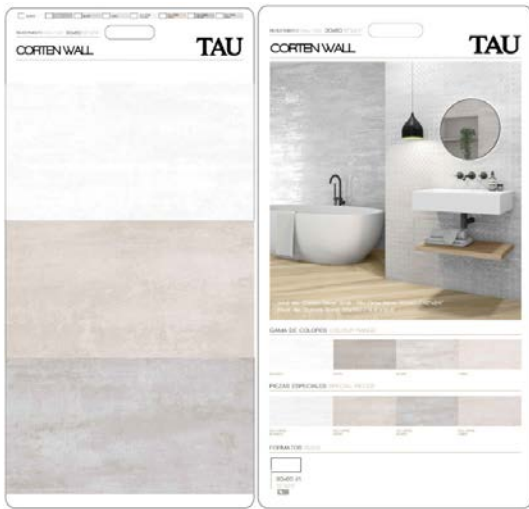
\*Displays / handboards not included

#### EXHIBITOR PACKING

MODEL	*PRICE (€)	N. PANELS	PANEL SIZE (mm)	LENGHT (mm)	WIDTH (mm)	HEIGHT (mm)	WEIGHT (Kg)
MANHATTAN 60	56.4	6	60X90	610	588	258	12

\*Panels not included

## TU2D10... DISPLAYS MANHATTAN 60F



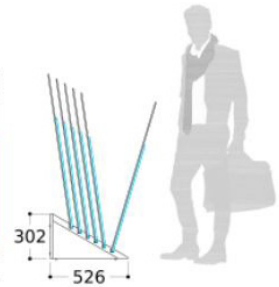
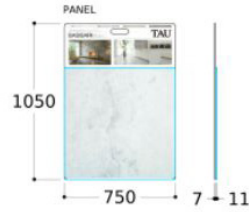
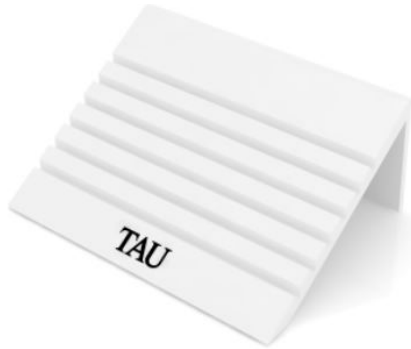
COD.	ITEM
TU2D1046	DIS. MANHATTAN 60F TOSCANA WALL 30X60F
TU2D1047	DIS. MANHATTAN 60F DEVON WALL 30X60F
TU2D1048	DIS. MANHATTAN 60F NANTES WALL 30X60F
TU2D1049	DIS. MANHATTAN 60F SOAPSTONE WALL 30X60F
TU2D1050	DIS. MANHATTAN 60F SUN 30X60F

MODEL	*PRICE (€)	PANEL SIZE (mm)	WEIGHT (Kg)
MANHATTAN 60 F	30	60X90	12

\*Panels not included

TUEXP\_38 MANHATTAN 75



6 PANELES  
1050 x 750 x 7 mm

MEDIDAS INTERIORES EMBALAJE:  
1200 X 800 X (alto) 580 mm



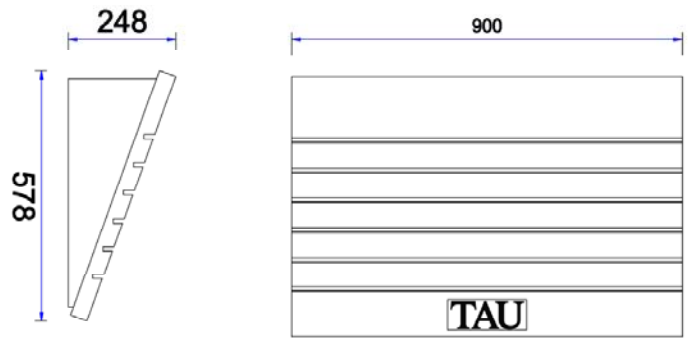
### EXHIBITOR PACKING

MODEL	*PRICE (€)	N. PANELS	PANEL SIZE (mm)	LENGHT (mm)	WIDTH (mm)	HEIGHT (mm)	WEIGHT (Kg)
MANHATTAN 90	66	6	75X105	760	546	312	17

\*Panels not included



TUEXP\_38 MANHATTAN 90



Sólo disponible con displays Manhattan 90  
Only available for Manhattan 90 handboards

\*Displays / handboards not included

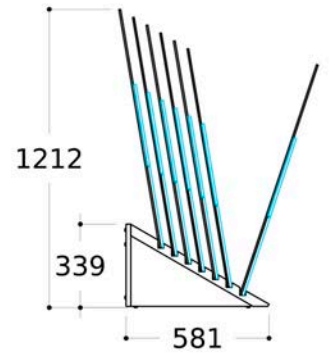
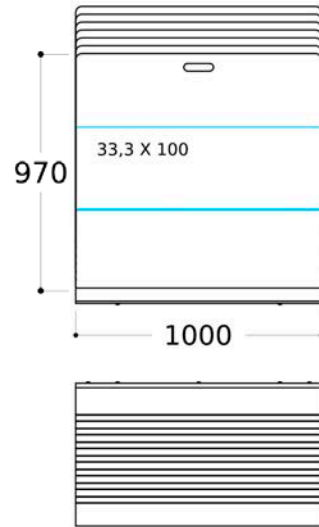
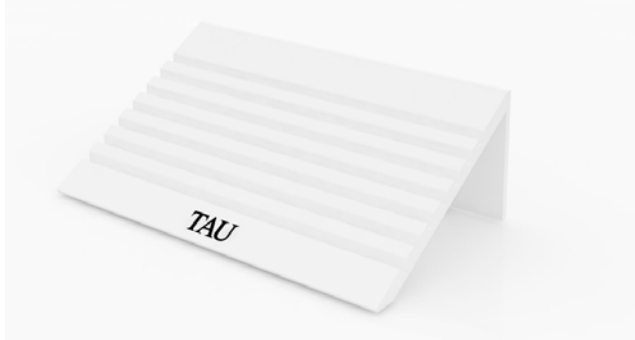
#### EXHIBITOR PACKING

MODEL	*PRICE (€)	N. PANELS	PANEL SIZE (mm)	LENGHT (mm)	WIDTH (mm)	HEIGHT (mm)	WEIGHT (Kg)
MANHATTAN 90	72,2	6	90X90	910	588	258	17

\*Panels not included

VOLVER AL ÍNDICE  
RETURN TO INDEX

TUEXP\_13 MANHATTAN 100



7 RANURAS



Sólo disponible con displays Manhattan 100  
Only available for Manhattan 100 handboards

\*Displays / handboards not included

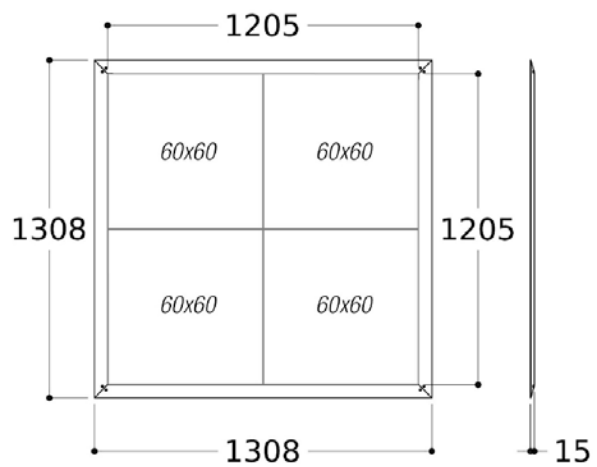
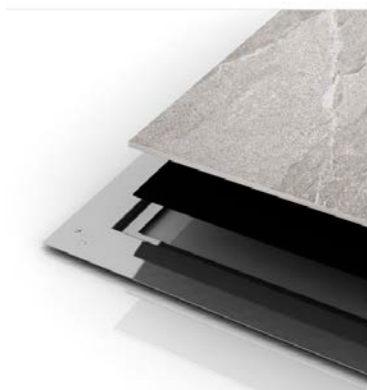
### EXHIBITOR PACKING

MODEL	*PRICE (€)	N. PANELS	PANEL SIZE (mm)	LENGHT (mm)	WIDTH (mm)	HEIGHT (mm)	WEIGHT (Kg)
MANHATTAN 100	87,6	7	105X100	1000	581	339	22

\*Panels not included

VOLVER AL ÍNDICE  
RETURN TO INDEX

TUEXP\_41 ALFOMBRA 60 4P



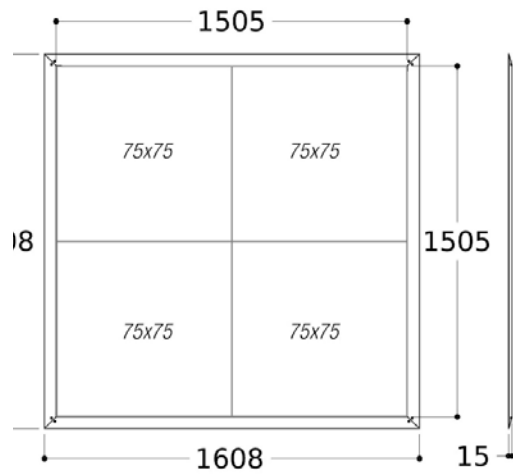
\*Pieces not included

#### EXHIBITOR PACKING

MODEL	*PRICE (€)	N. PANELS	PANEL SIZE (mm)	LENGHT (mm)	WIDTH (mm)	HEIGHT (mm)	WEIGHT (Kg)
ALFOMBRA 60	174	4 (2) (1)	60X60 (60X120) (120X120)	1350	1350	120	8

\*Panels not included

TUEXP\_40 ALFOMBRA 75 4P



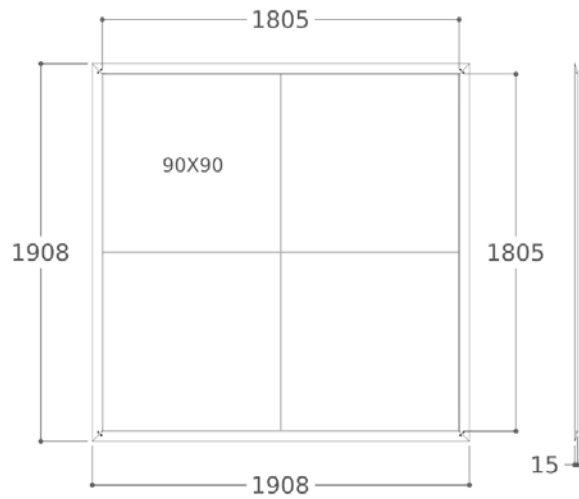
\*Pieces not included

#### EXHIBITOR PACKING

MODEL	*PRICE (€)	N. PANELS	PANEL SIZE (mm)	LENGHT (mm)	WIDTH (mm)	HEIGHT (mm)	WEIGHT (Kg)
ALFOMBRA 75	208,80	4 (8)	75X75 (37,5X37,5)	1650	1650	120	9,5

\*Panels not included

TUEXP\_61 ALFOMBRA 90 4P



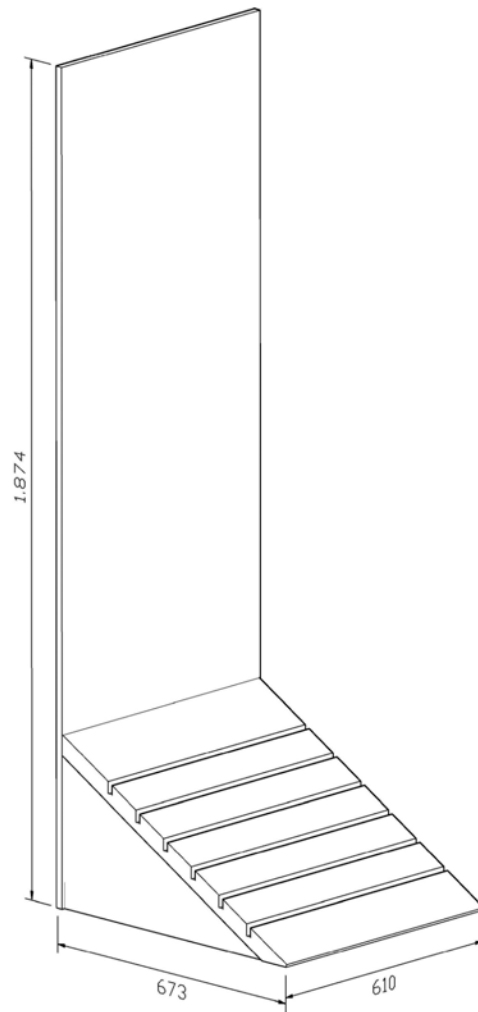
\*Pieces not included

#### EXHIBITOR PACKING

MODEL	*PRICE (€)	N. PANELS	PANEL SIZE (mm)	LENGHT (mm)	WIDTH (mm)	HEIGHT (mm)	WEIGHT (Kg)
ALFOMBRA 90	183.60	4 (2)	90X90 (90X180)	1950	170	140	18

\*Panels not included

TUEXP\_88 MEMPHIS

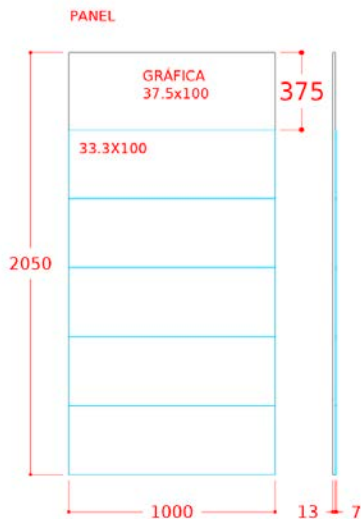
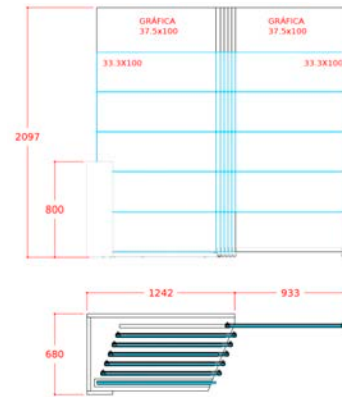


### EXHIBITOR PACKING

MODEL	*PRICE (€)	N. PANELS	PANEL SIZE (mm)	LENGHT (mm)	WIDTH (mm)	HEIGHT (mm)	WEIGHT (Kg)
MEMPHIS	105,60	12	30X90	1874	610	673	87

\*Panels not included

TUEXP\_81 MINNESOTA 33,3x100 DX

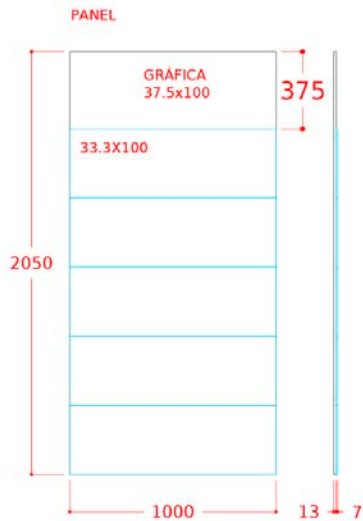


### EXHIBITOR PACKING

MODEL	*PRICE (€)	N. PANELS	PANEL SIZE (mm)	LENGHT (mm)	WIDTH (mm)	HEIGHT (mm)	WEIGHT (Kg)
MINNESOTA	509	6+1	1000X2050	1300	850	230	92

\*Panels not included

TUEXP\_82 MINNESOTA 33,3x100 SX



### EXHIBITOR PACKING

MODEL	*PRICE (€)	N. PANELES	PANEL SIZE (mm)	LENGHT (mm)	WIDTH (mm)	HEIGHT (mm)	WEIGHT (Kg)
MINNESOTA	509	6+1	1000X2050	1300	850	230	92

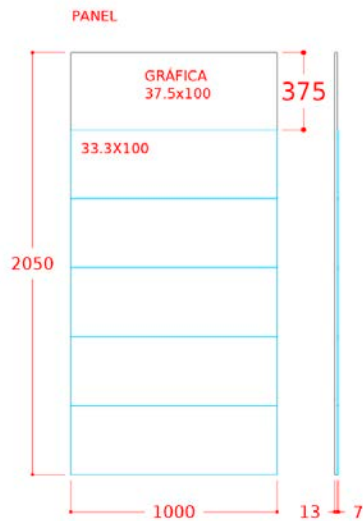
\*Panels not included

VOLVER AL ÍNDICE  
RETURN TO INDEX



TU2PM

PANELES MINNESOTA 33,3x100



COD.	ITEM
TU2PM01	PST MINNESOTA PALOMASTONE WHITE + RLV VIA
TU2PM02	PST MINNESOTA PALOMASTONE SILVER + RLV VIA
TU2PM03	PST MINNESOTA PALOMASTONE GRAPHITE + RLV NEO
TU2PM04	PST MINNESOTA ESSENCE NACAR + RLV LINE CHAMPAGNE
TU2PM05	PST MINNESOTA ESSENCE RLV LINE GREENISH
TU2PM06	PST MINNESOTA ESSENCE RLV CUBE WHITE
TU2PM07	PST MINNESOTA BIANCHI MATT + RLV MIA MATT
TU2PM08	PST MINNESOTA BIANCHI SHINY + RLV AXE SHINY
TU2PM09	PST MINNESOTA BARANELLO MATT + RLV LINE BARANELLO
TU2PM10	PST MINNESOTA PALOMASTONE WHITE + RLV VIA + RLV NEO
TU2PM11	PST MINNESOTA BARANELLO MATT + DEC + SHINY
TU2PM12	PST MINNESOTA BARANELLO SHINY + RLV AXE BARANELLO
TU2PM13	PST MINNESOTA ESSENCE WHITE + RLV LINE GREENISH
TU2PM14	PST MINNESOTA BIANCHI SHINY + RLV AXE/NEO/MIA
TU2PM15	PST MINNESOTA BIANCHI SHINY/MATT + RLV BIT SHINY/MATT
TU2PM16	PST MINNESOTA BIANCHI MATT + RLV NEO
TU2PM17	PST MINNESOTA COSMOPOLITA WHITE + RLV DELTA WHITE
TU2PM18	PST MINNESOTA COSMOPOLITA SILVER + RLV DELTA SILVER
TU2PM19	PST MINNESOTA COSMOPOLITA SAND + RLV DELTA SAND
TU2PM20	PST MINNESOTA COSMOPOLITA GRAY + RLV DELTA GRAY
TU2PM21	PST MINNESOTA COSMOPOLITA GRAY + RLV GALA GRAY
TU2PM22	PST MINNESOTA COSMOPOLITA SAND + RLV GALA SAND
TU2PM23	PST MINNESOTA COSMOPOLITA SILVER + RLV GALA SILVER
TU2PM24	PST MINNESOTA COSMOPOLITA WHITE + RLV GALA WHITE

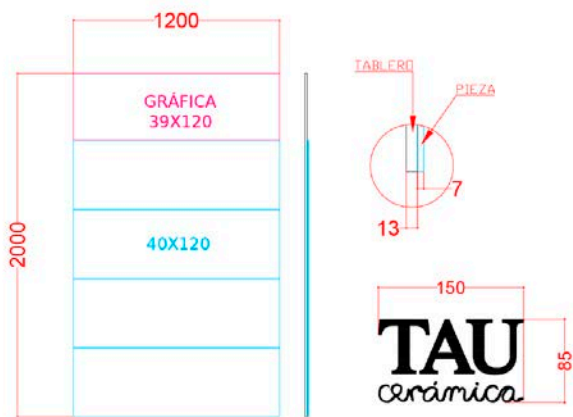
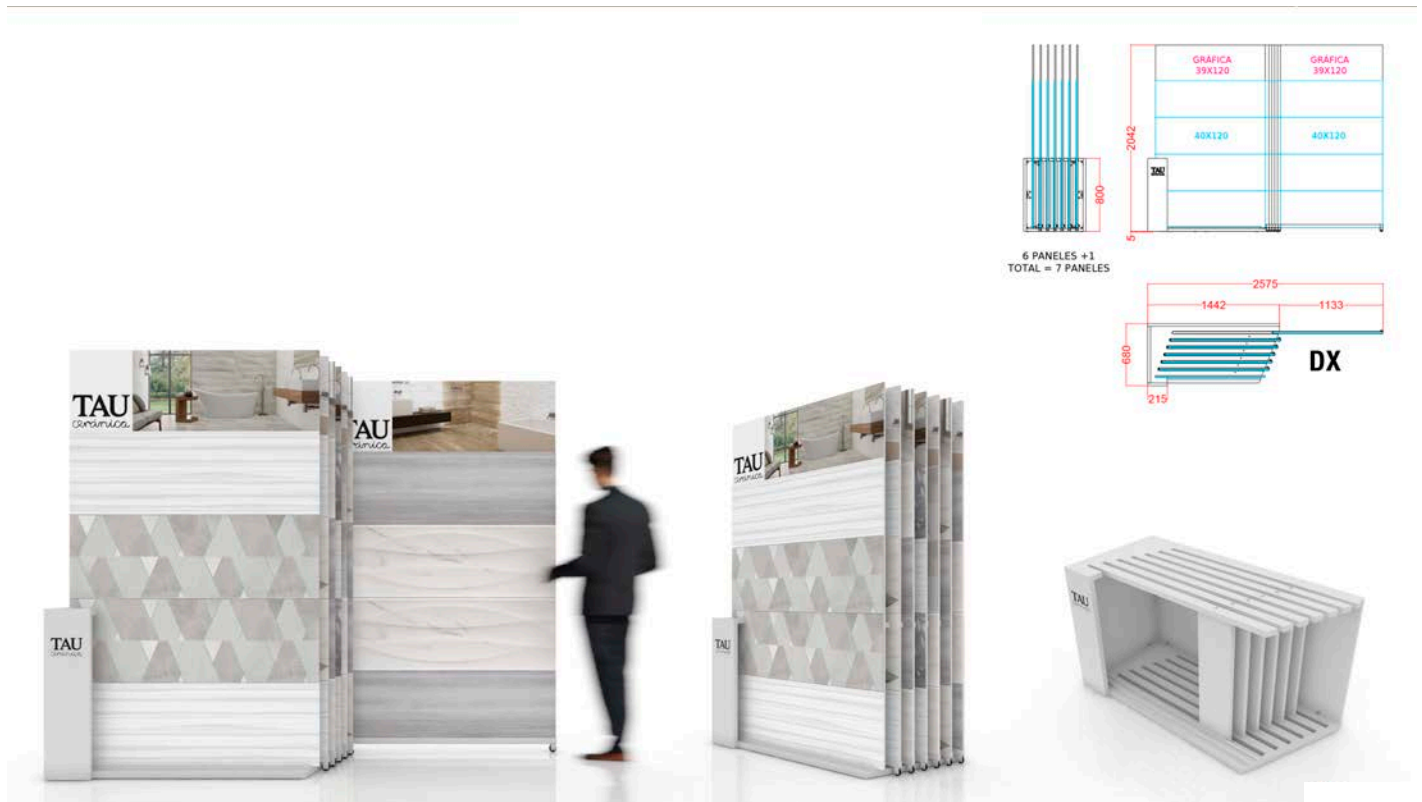
## EXHIBITOR PACKING

MODEL	*PRICE (€)	N. PANELS	PANEL SIZE (mm)	LENGHT (mm)	WIDTH (mm)	HEIGHT (mm)	WEIGHT (Kg)
MINNESOTA	72	6+1	1000X2050	1020	20	2050	92

\*Panels not included

VOLVER AL ÍNDICE  
RETURN TO INDEX

TUEXP\_104 MINNESOTA 40x120 SX



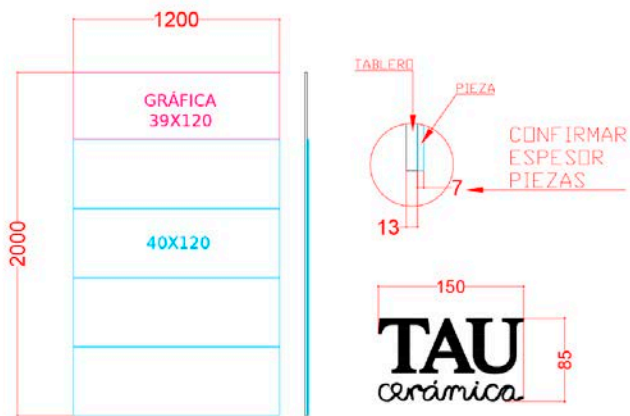
### EXHIBITOR PACKING

MODEL	*PRICE (€)	N. PANELS	PANEL SIZE (mm)	LENGHT (mm)	WIDTH (mm)	HEIGHT (mm)	WEIGHT (Kg)
MINNESOTA	1119,25	6+1	1200X2000	-	-	-	-

\*Panels not included

VOLVER AL ÍNDICE  
RETURN TO INDEX

## TU2PM... PANELES MINNESOTA 40X120



COD.	ITEM
TU2PM25	PST MINNESOTA ALESSO BLACK / RL 40X120
TU2PM26	PST MINNESOTA ALESSO BLACK / DC 40X120
TU2PM27	PST MINNESOTA INTEGRA PE / MIX 40X120
TU2PM28	PST MINNESOTA INTEGRA GRE / RLV 40X120
TU2PM29	PST MINNESOTA INTEGRA PEA / RLV 40X120
TU2PM30	PST MINNESOTA INTEGRA WH / RLV 40X120
TU2PM31	PST MINNESOTA LEMA PEARL / DEC 40X120
TU2PM32	PST MINNESOTA LEMA PEARL / RLV 40X120
TU2PM33	PST MINNESOTA LEMA SILVER / RLV 40X120
TU2PM34	PST MINNESOTA LEMA WHITE / RLV 40X120
TU2PM35	PST MINNESOTA PALAZZO CAL / DEC 40X120
TU2PM36	PST MINNESOTA PALAZZO CAL / RLV 40X120
TU2PM37	PST MINNESOTA TRAVERT SAND / DC 40X120
TU2PM38	PST MINNESOTA TRAVERT SAND / RLV 40X120
TU2PM39	PST MINNESOTA TRAVERT WHIT / DC 40X120
TU2PM40	PST MINNESOTA TRAVERT WHIT / RLV 40X120
TU2PM41	PST MINNESOTA PST VENETO / DEC 40X120
TU2PM42	PST MINNESOTA PST VENETO / RLV 40X120

### EXHIBITOR PACKING

MODEL	*PRICE (€)	N. PANELS	PANEL SIZE (mm)	LENGHT (mm)	WIDTH (mm)	HEIGHT (mm)	WEIGHT (Kg)
MINNESOTA	77	6+1	1200X2000	120	20	2000	65

## TUPOR\_24 PORTAPIEZAS STAIR IRON



### EXHIBITOR PACKING

MODEL	*PRICE (€)	N. PANELS	PANEL SIZE (mm)	LENGHT (mm)	WIDTH (mm)	HEIGHT (mm)	WEIGHT (Kg)
STAIR IRON	73,56	10	60X60 30X60 20X60	-	-	-	10

\*Panels not included

VOLVER AL ÍNDICE  
RETURN TO INDEX

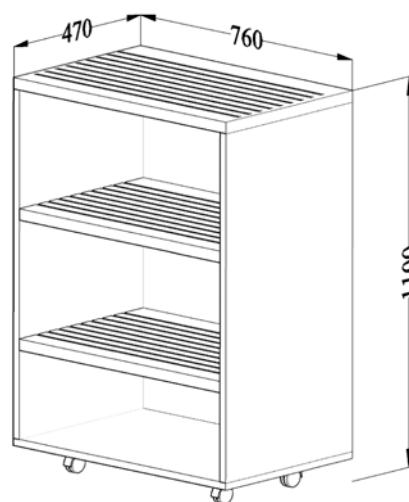
# DISPLAYS Y PORTADISPLAYS

---

TUEXP\_71 SMS CART

Sólo disponible con displays SMS  
Just available with displays SMS

\*Displays / handboards not included



## EXHIBITOR PACKING

MODEL	*PRICE (€)	N. PA- NELS	PANEL SIZE (mm)	PIECES FORMAT	LENGHT (mm)	WIDTH (mm)	HEIGHT (mm)	WEIGHT (Kg)
SMS CART	175,2	24	650	7,5X15 / 7,5X30 10X40 / 8,5X35 20X20 / HEX	1110	770	480	45

\*Panels not included

VOLVER AL ÍNDICE  
RETURN TO INDEX

## DISPLAYS SMS

<p>150</p> <p>130</p>	<p>FRONT VIEW</p>	<p>BACK VIEW</p>
MODEL		*PRICE (€)
TU2D0999 SMS CLASSIC		579

<p>300</p> <p>130</p>	<p>FRONT VIEW</p>	<p>BACK VIEW</p>
MODEL		*PRICE (€)
TU2D1000 SMS MAIOLICA		6,75

<p>300</p> <p>130</p>	<p>FRONT VIEW</p>	<p>BACK VIEW</p>
MODEL		*PRICE (€)
TU2D1001 SMS MAIOLICA METAL		8,45

<p>300</p> <p>130</p>	<p>FRONT VIEW</p>	<p>BACK VIEW</p>
MODEL		*PRICE (€)
TU2D1002 SMS JOIA		6,75

<p>300</p> <p>130</p>	<p>FRONT VIEW</p>	<p>BACK VIEW</p>
MODEL		*PRICE (€)
TU2D1003 SMS PALMARIA		6,75

\*Estimated price pieces included

## DISPLAYS SMS



FRONT VIEW



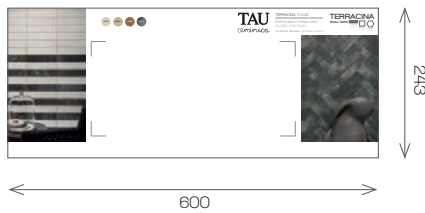
BACK VIEW

MODEL

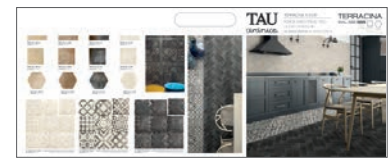
\*PRICE (€)

TU2D1004 SMS MURADA

8,52



FRONT VIEW



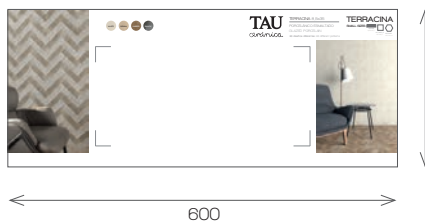
BACK VIEW

MODEL

\*PRICE (€)

TU2D1006 SMS TERRACINA BRICK CÁLIDOS

13,13



FRONT VIEW



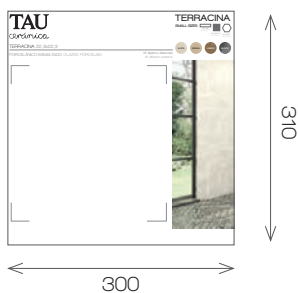
BACK VIEW

MODEL

\*PRICE (€)

TU2D1005 SMS TERRACINA BRICK FRIOS

13,13



FRONT VIEW



BACK VIEW

MODEL

\*PRICE (€)

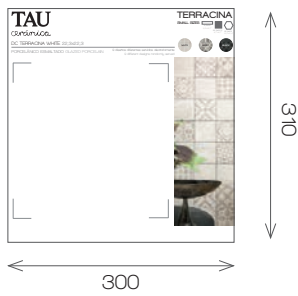
TU2D1007 SMS TERRACINA DC WHITE

9,43

\*Estimated price pieces included



## DISPLAYS SMS



MODEL



FRONT VIEW

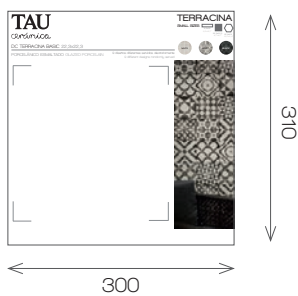


BACK VIEW

\*PRICE (€)

TU2D1009 SMS DISPLAY TERRACINA DC WHITE 22X22

9,43



MODEL



FRONT VIEW

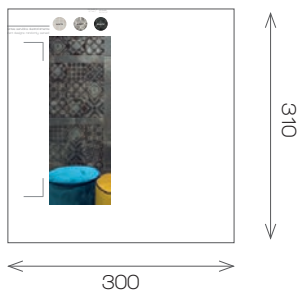


BACK VIEW

\*PRICE (€)

TU2D1009 SMS DISPLAY TERRACINA DC BASIC 22X22

9,43



MODEL



FRONT VIEW



BACK VIEW

\*PRICE (€)

TU2D1010 SMS DISPLAY TERRACINA DC BLACK 22X22

9,43



MODEL



FRONT VIEW



BACK VIEW

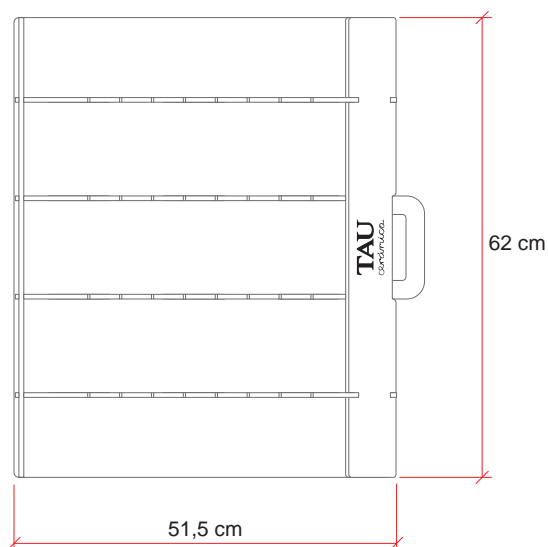
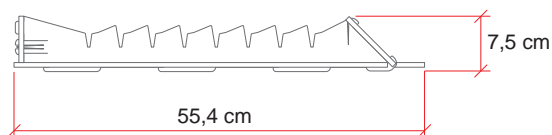
\*PRICE (€)

TU2D1011 SMS TERRACINA DISPLAY HEXÁGONO

16,56

\*Estimated price pieces included

TUEXP\_72 SMS TRAY TERRACINA



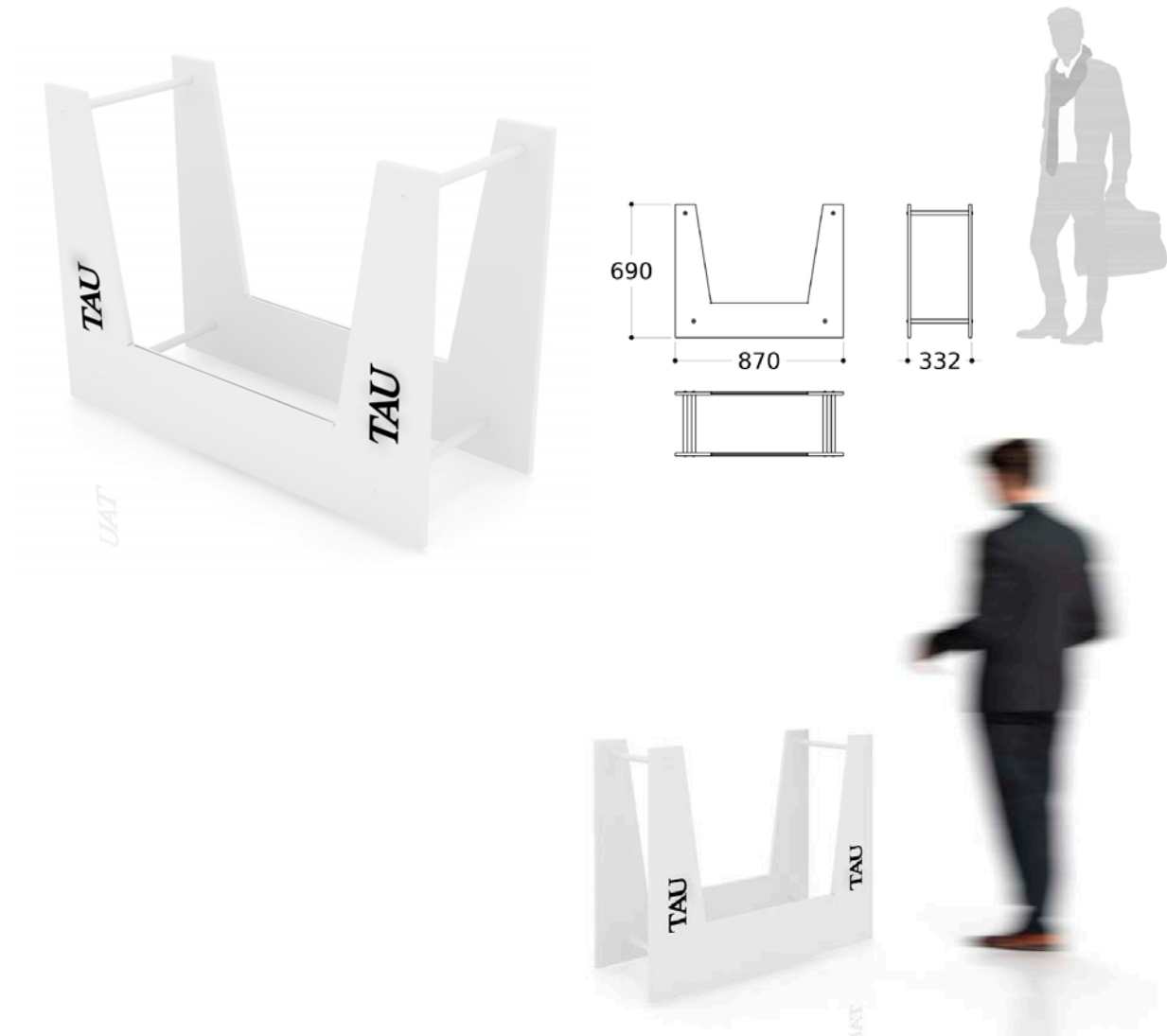
Sólo disponible con los displays SMS indicados  
Just available with displays SMS

### EXHIBITOR PACKING

MODEL	*PRICE (€)	N. PANELS	PANEL SIZE (mm)	LENGHT (mm)	WIDTH (mm)	HEIGHT (mm)	WEIGHT (Kg)
SMS TRAY TERRACINA + DISPLAYS SMS TERRACINA	167,32	8	9,5X35 / 20X20 / HEXÁGONO	630	564	85	-

\*Displays and pieces included

## TUPOR\_1 PORTADISPLAYS



### EXHIBITOR PACKING

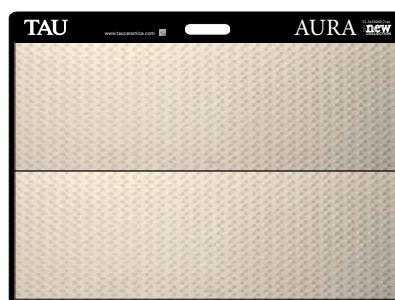
MODEL	*PRICE (€)	(€)	WIDTH (mm)	HEIGHT (mm)	WEIGHT (Kg)
PORTADISPLAYS	50,40	910	740	50	22

\*Panels not included

[VOLVER AL ÍNDICE](#)  
[RETURN TO INDEX](#)



GENERAL DISPLAYS

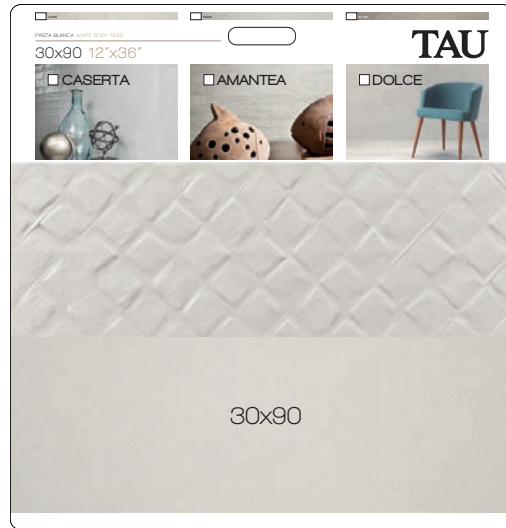
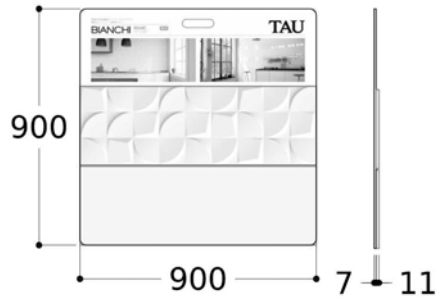


33,3x100 DISPLAY

CODE	*PRICE (€)	PIECES FOR-MAT	N. PIECES	DISPLAY FORMAT		
				WIDTH (mm)	HEIGHT (mm)	THICKNESS (mm)
TUDISP1	19,20	60x60	1	640	850	8
		30x60	2			
TUDISP2	26,40	75X75	1	790	850	5
		37,5X75	2			
TUDISP3	18,83	30x90	2	940	710	5
TUDISP4	24,00	7,5x30	4	340	470	5
		7,5x15	8			
TUDISP5	18,84	25x100	2	1010	600	8
TUDISP8	23,42	40x120	1	1210	500	5
		20x120	2			
TUDISP10	24,00	33,3x100	2	1010	760	8

TU2D...

MANHATTAN 90



FRONT VIEW



BACK VIEW

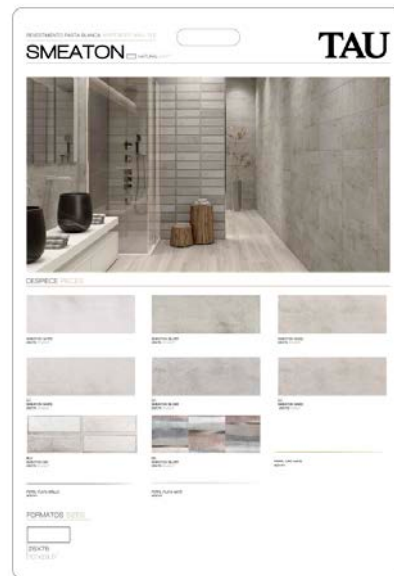
MODEL	*PRICE (€)	PIECES FORMAT	N. PIECES	DISPLAY FORMAT
MANHATTAN 90	45,20	30X90	2	900X900

\*Estimated price pieces included

TU2D... / TU3D... MANHATTAN 75



FRONT VIEW

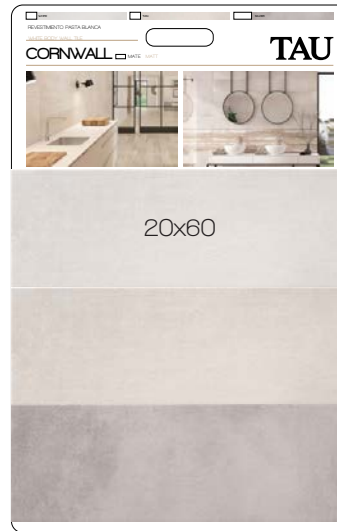
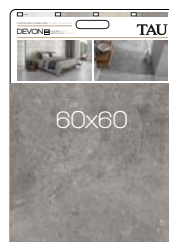
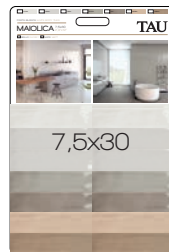
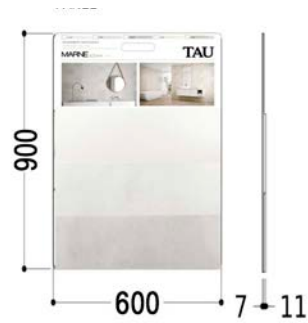


BACK VIEW

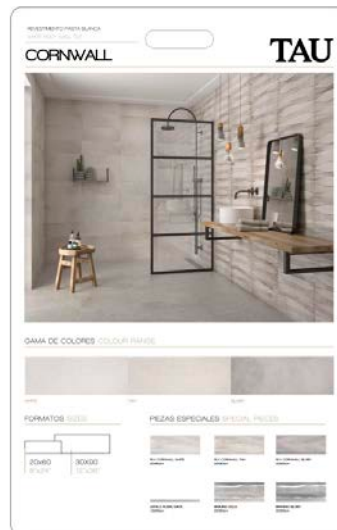
MODEL	*PRICE (€)	PIECES FORMAT	N. PIECES	DISPLAY FORMAT
MANHATTAN 75	42	75X75	3	1050X750
		37,5X75	2	
		25X75	1	

\*Estimated price pieces included

## TU2D... / TU3D... MANHATTAN 60



FRONT VIEW



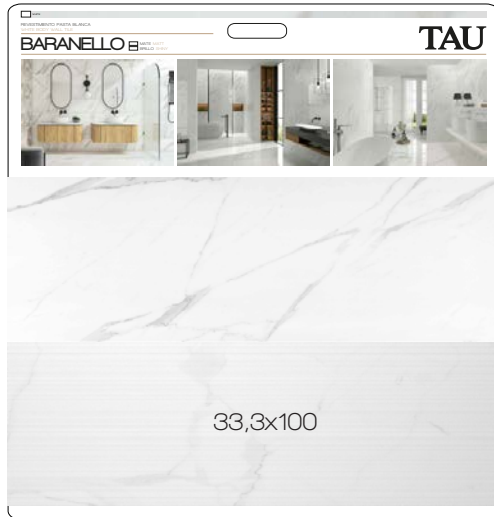
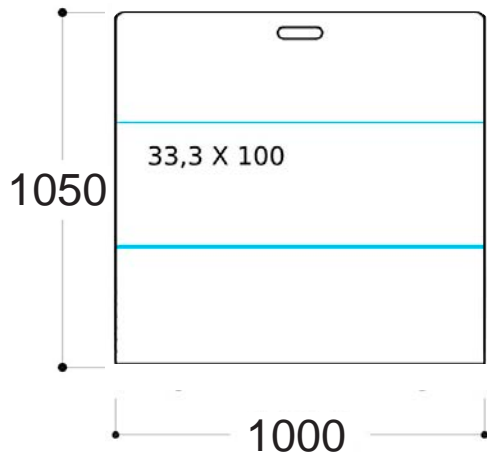
BACK VIEW

MODEL	*PRICE (€)	PIECES FORMAT	N. PIECES	DISPLAY FORMAT
MANHATTAN 60	40,80	20X60	3	900X600
		60X60	2	
		30X60	1	

\*Estimated price pieces included

TU2D...

MANHATTAN 100



FRONT VIEW



BACK VIEW

MODEL	*PRICE (€)	PIECES FORMAT	N. PIECES	DISPLAY FORMAT
MANHATTAN 100	60,00	33,3X100	2	1050X1000

\*Estimated price pieces included

VOLVER AL ÍNDICE  
RETURN TO INDEX



TU4D004/TU4D003

DISPLAY OUTDOOR

## WOODS STONES-CLAYS

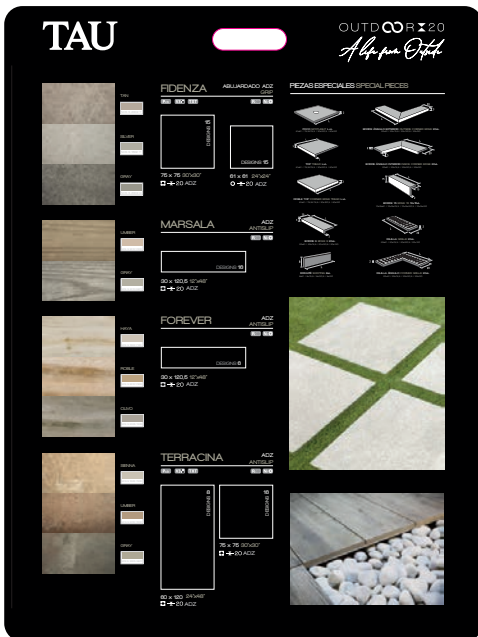


FRONT VIEW

## CEMENTS



FRONT VIEW



BACK VIEW



BACK VIEW

MODEL	*PRICE (€)	N. PANELS	PANEL SIZE (mm)	THICK (mm)	WEIGHT (mm)
DISPLAY ESPESORADO	30	640	850	5	10

\*Estimated price pieces included

## TU2DM... DISPLAYS MEMPHIS 30X90



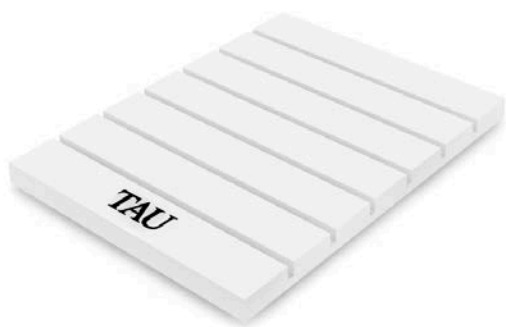
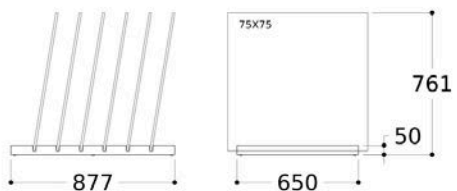
COD.	ITEM
TU2DM01	MEMPHIS DISPLAY ROADSTONE WALL 30x90
TU2DM02	MEMPHIS DISPLAY QUABBELLA 30x90
TU2DM03	MEMPHIS DISPLAY DOLCE 30x90
TU2DM04	MEMPHIS DISPLAY CAVALLINO 30x90
TU2DM05	MEMPHIS DISPLAY SISAL 30x90
TU2DM06	MEMPHIS DISPLAY CARPI 30x90
TU2DM07	MEMPHIS DISPLAY CHANNEL 30x90
TU2DM08	MEMPHIS DISPLAY TRAPANI 30x90
TU2DM09	MEMPHIS DISPLAY AMANTEA 30x90
TU2DM10	MEMPHIS DISPLAY CASERTA 30x90
TU2DM11	MEMPHIS DISPLAY RLV CHANNEL 30x90
TU2DM12	MEMPHIS DISPLAY RLV. QUABBELLA 30x90
TU2DM13	MEMPHIS DISPLAY RLV ROADSTONE W. 30x90

MODEL	*PRICE (€)	PIECES FORMAT	EXHIBITOR PACKING	
			LENGHT (mm)	WIDTH (mm)
DISPLAY MEMPHIS	20,6	30X90	1200	300

\*Panels not included

VOLVER AL ÍNDICE  
RETURN TO INDEX

TUPOR\_2 TOTEM



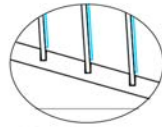
### EXHIBITOR PACKING

MODEL	*PRICE (€)	N. GROOVES	N. PIECES	PIECES FORMAT	LENGHT (mm)	WIDTH (mm)	HEIGHT (mm)	WEIGHT (Kg)
TOTEM	54	6	6	90X90 / 60X120 75X75 / 60X60	905	655	60	19

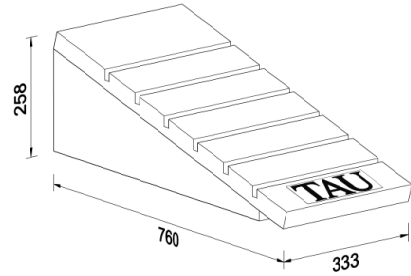
\*Panels not included

VOLVER AL ÍNDICE  
RETURN TO INDEX

TUPOR\_25 TOTEM 33,3X100



Detalle Panel en ranura



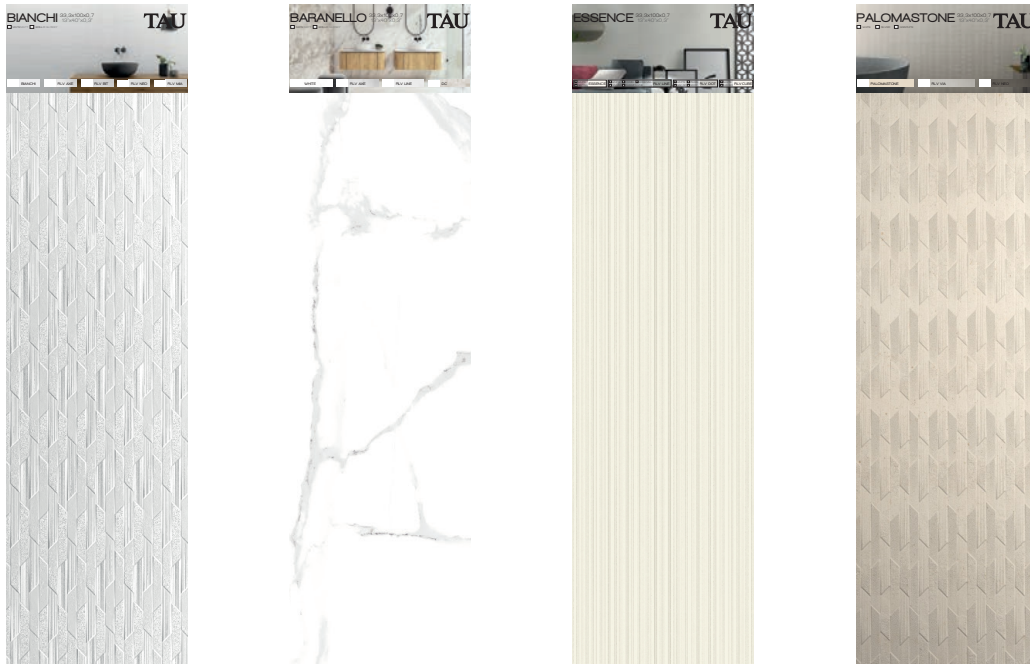
### EXHIBITOR PACKING

MODEL	*PRICE (€)	N. PANELS	PANEL SIZE (mm)	LENGHT (mm)	WIDTH (mm)	HEIGHT (mm)	WEIGHT (Kg)
TOTEM 33,3X100	63	6	33,3X100	760	333	258	7

\*Panels not included

VOLVER AL ÍNDICE  
RETURN TO INDEX

TU2D104... DISPLAYS TOTEM 33,3X10

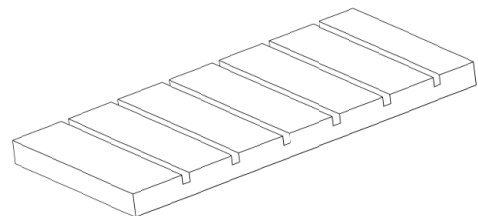
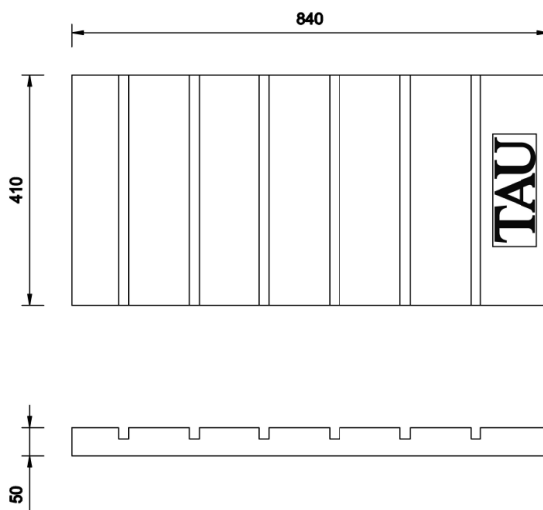


CODE	MODEL	*PRICE (€)	DISPLAY FORMAT	
			WIDTH (mm)	HEIGHT (mm)
TU2D1041	BIANCHI 33,3x100	26	333	1185
TU2D1042	BARANELLO 33,3x100	26	333	1185
TU2D1043	ESSENCE 33,3x100	26	333	1185
TU2D1044	PALOMASTONE 33,3x100	26	333	1185

\*Estimated price pieces included

VOLVER AL ÍNDICE  
RETURN TO INDEX

TUPOR\_11 TOTEM 40X120



## EXHIBITOR PACKING

MODEL	*PRICE (€)	N. GROOVES	PIECES FORMAT	LENGHT (mm)	WIDTH (mm)	HEIGHT (mm)	WEIGHT (Kg)
TOTEM 40X120	51	6	40X120	840	410	50	7

\*Estimated price pieces included

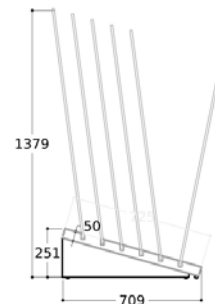
TU2D97... DISPLAYS TOTEM 40X120



CODE	MODEL	*PRICE (€)	DISPLAY FORMAT	
			WIDTH (mm)	HEIGHT (mm)
TU2D975	BIANCHI	26	410	1500
TU2D977	DOZZA	26	410	1500
TU2D978	LITUM	26	410	1500
TU2D979	POTENZA	26	410	1500
TU2D980	TISSE	26	410	1500
TU2D1055	ALESSO	26	410	1500
TU2D1056	VENETO	26	410	1500
TU2D1057	PALAZZO	26	410	1500
TU2D1058	LEMA	26	410	1500
TU2D1059	INTEGRA	26	410	1500
TU2D1060	TRAVERTINO	26	410	1500

\*Estimated price pieces included

## TUPOR\_14 TOTEM INCLINADO



6 RANURAS



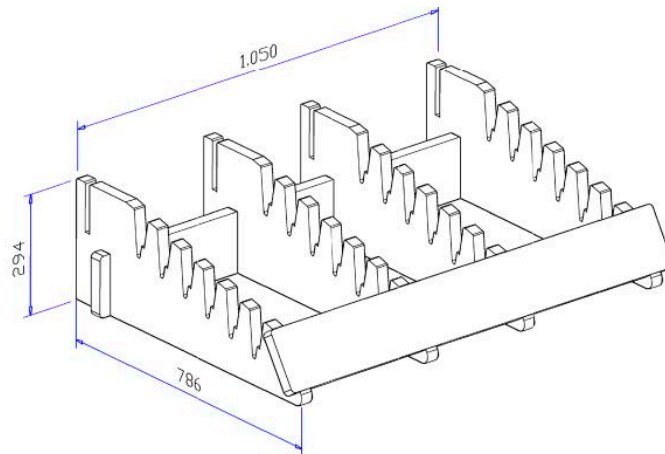
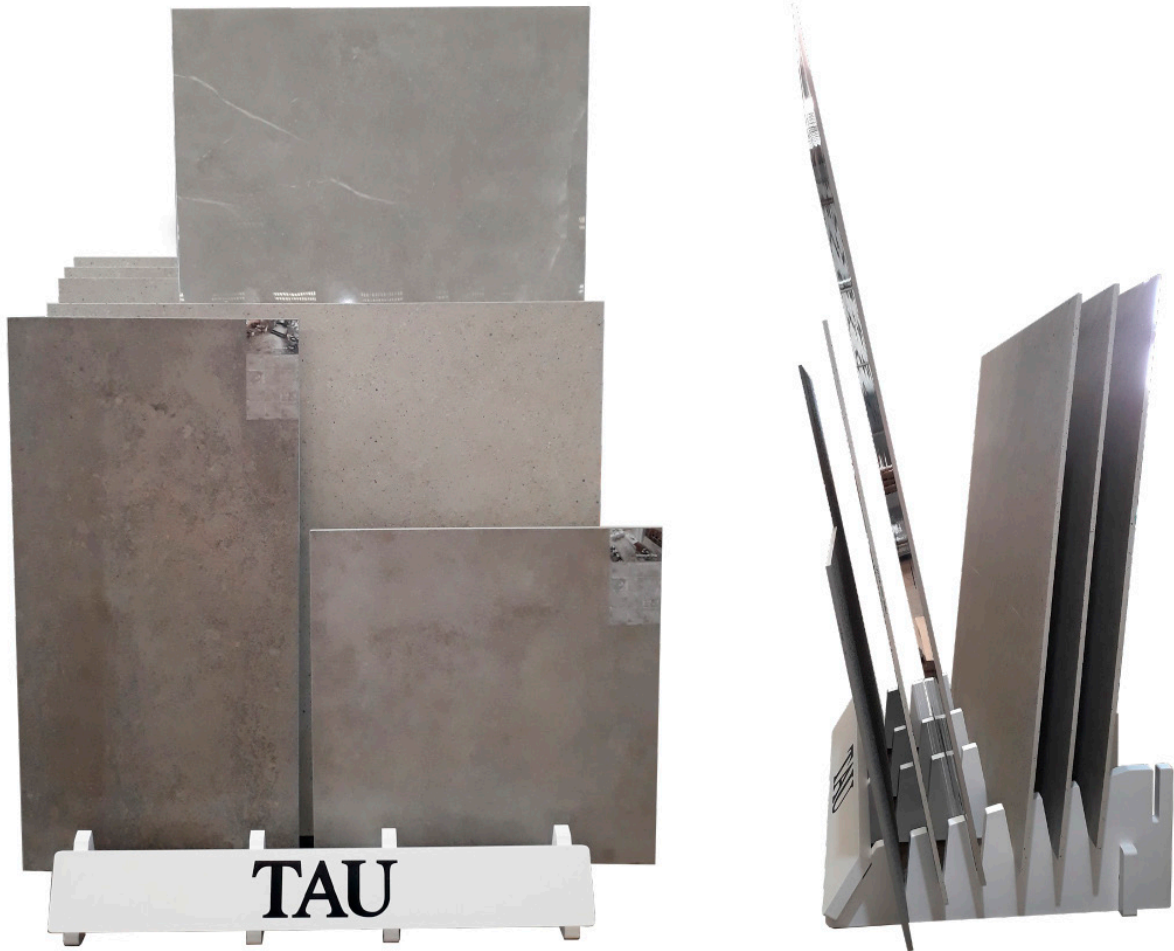
### EXHIBITOR PACKING

MODEL	*PRICE (€)	N. GROOVES	N. PIECES	PIECES FORMAT	LENGHT (mm)	WIDTH (mm)	HEIGHT (mm)	WEIGHT (Kg)
TOTEM INCLINADO	75	6	6	90X90 60X120 75X75 60X60	670	725	280	45

\*Panels not included



## TUPOR\_18 TOTEM GRAN FORMATO MULTIFORMATO



### EXHIBITOR PACKING

MODEL	*PRICE (€)	N. GROOVES	PIECES FORMAT	LENGHT (mm)	WIDTH (mm)	HEIGHT (mm)	WEIGHT (Kg)
TOTEM G.F. MULTIFORMATO	126	6	90X90 90X180 60X120 120X120 75X75 75X150 60X60	1050	786	294	22

\*Panels not included

VOLVER AL ÍNDICE  
RETURN TO INDEX

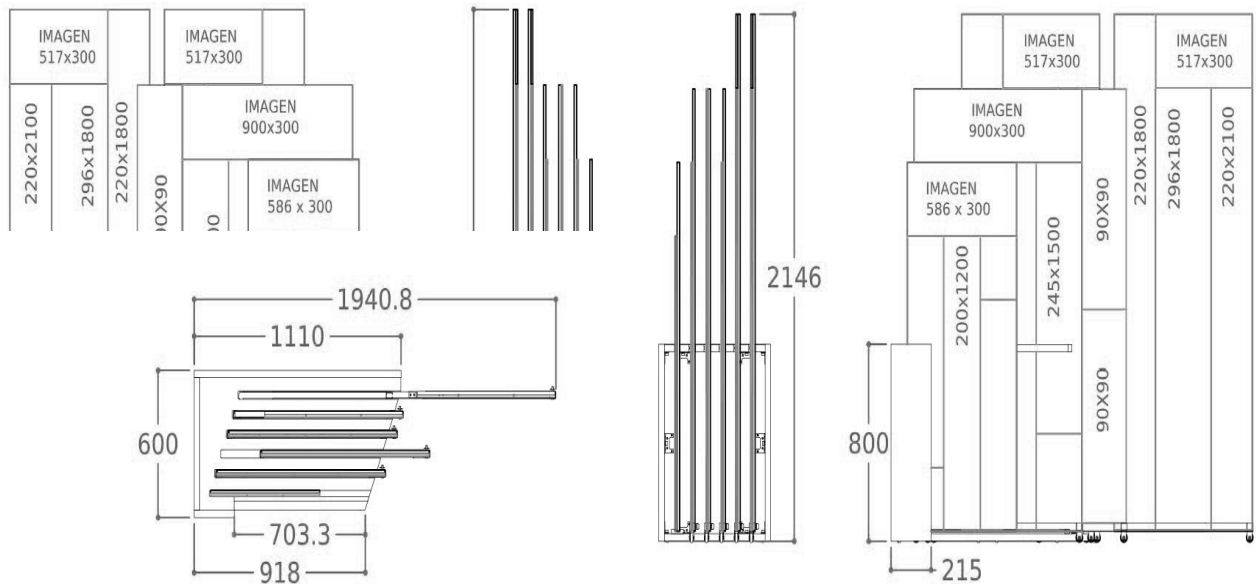
# ZONA MADERAS

---



Combine nuestros expositores Ottawa, peines y traseras para crear su propio espacio TAU de maderas.  
Combine our Ottawa exhibitor, our slotted bases and our back picture posters to create your own TAU woods area.

TUEXP\_65 OTTAWA DX Apertura derecha / Right opening



### EXHIBITOR PACKING

MODEL	*PRICE (€)	N. PANELS	PANELS	LENGHT (mm)	WIDTH (mm)	HEIGHT (mm)	WEIGHT (Kg)
OTTAWA	455,52	6	QUEBEC TORONTO OTTAWA	1165	853	200	90

Para Paneles OTTAWA o para combinar Paneles QUEBEC + OTTAWA + TORONTO  
 Meant for OTTAWA Panels as well as to combine QUEBEC + OTTAWA + TORONTO panels

\*Panels not included

TUEXP\_66

OTTAWA SX

Apertura izquierda / Left opening



## EXHIBITOR PACKING

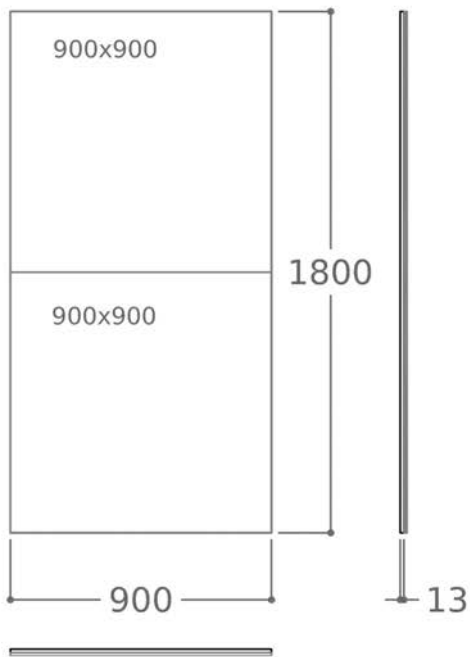
MODEL	*PRICE (€)	N. PANELS	PANELS	LENGHT (mm)	WIDTH (mm)	HEIGHT (mm)	WEIGHT (Kg)
OTTAWA	455,52	6	QUEBEC TORONTO OTTAWA	1165	853	200	90

Para Paneles OTTAWA o para combinar Paneles QUEBEC + OTTAWA + TORONTO  
 Meant for OTTAWA Panels as well as to combine QUEBEC + OTTAWA + TORONTO panels

\*Panels not included

VOLVER AL ÍNDICE  
 RETURN TO INDEX

## TU3PT... OTTAWA CASETTO PANELS



COD.	ITEM
TU3PT15	OTTAWA CHP CASETTO-BREST UMBER
TU3PT16	OTTAWA CHP CASETTO-RENNES WHITE
TU3PT17	OTTAWA CHP CASETTO-RENNES UMBER

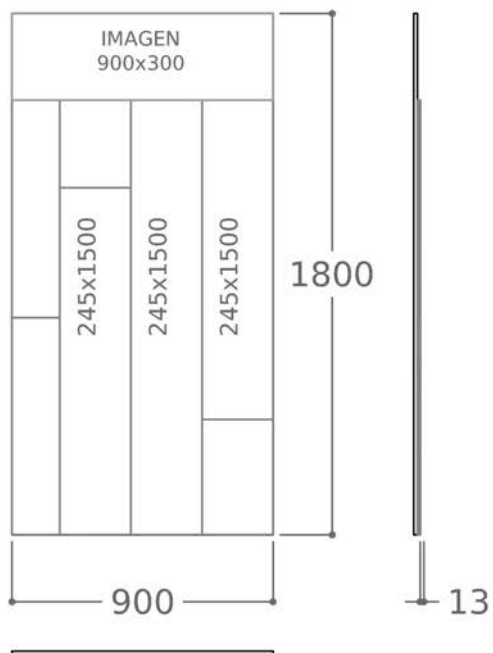


MODEL	*PRICE (€)	PIECES FORMAT	PANELS FORMAT
OTTAWA	74,10	25x150	900x1800

\*Estimated price pieces included

VOLVER AL ÍNDICE  
RETURN TO INDEX

## TU3PT... OTTAWA PANELS



COD.	ITEM
TU3PT09	OTTAWA PST RENNES UMBER 25x150
TU3PT10	OTTAWA PST RENNES TAN 25x150
TU3PT11	OTTAWA PST RENNES WHITE 25x150
TU3PT12	OTTAWA PST BREST SAND 25x150
TU3PT13	OTTAWA PST BREST TAN 25x150
TU3PT14	OTTAWA PST BREST UMBER 25x150



MODEL	*PRICE (€)	PIECES FORMAT	PANELS FORMAT
OTTAWA Casetto	87,10	90x90	900x1800

\*Estimated price pieces included

TUEXP\_27 QUEBEC



## EXHIBITOR PACKING

MODEL	*PRICE (€)	N. PANELS	PANELS	LENGHT (mm)	WIDTH (mm)	HEIGHT (mm)	WEIGHT (Kg)
QUEBEC	291,60	6	QUEBEC	1560	640	830	150

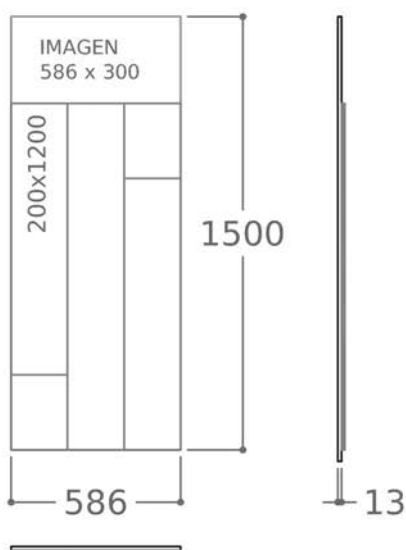
Sólo disponible para Paneles QUEBEC -maderas de 20x120-  
Only available for QUEBEC Panels -20x120 wood series-

\*Panels not included

VOLVER AL ÍNDICE  
RETURN TO INDEX



## TU3PQ... QUEBEC PANELS



COD.	ITEM	COD.	ITEM
TU3PQ01	PT QUEBEC ORISTANO WHITE	TU3PQ26	PT QUEBEC ORIGIN GRAY
TU3PQ02	PT QUEBEC ORISTANO COFFEE	TU3PQ27	PT QUEBEC ORIGIN SILVER
TU3PQ03	PT QUEBEC ORISTANO BLACK	TU3PQ28	PT QUEBEC ORIGIN TAN
TU3PQ04	PT QUEBEC MARSALA UMBER	TU3PQ29	PT QUEBEC ORIGIN SAND
TU3PQ05	PT QUEBEC MARSALA TAN	TU3PQ30	PT QUEBEC ORIGIN UMBER
TU3PQ06	PT QUEBEC MARSALA GRAY	TU3PQ31	PT QUEBEC DILUCA WHITE
TU3PQ14	PT QUEBEC RAGUSA SAND	TU3PQ32	PT QUEBEC DILUCA TAN
TU3PQ15	PT QUEBEC RAGUSA CAMEL	TU3PQ33	PT QUEBEC DILUCA UMBER
TU3PQ16	PT QUEBEC RAGUSA UMBER	TU3PQ34	PT QUEBEC FOEVER HAYA
TU3PQ17	PT QUEBEC RAGUSA COFFEE	TU3PQ35	PT QUEBEC FOEVER ROBLE
TU3PQ18	PT QUEBEC SELENI WHITE	TU3PQ36	PT QUEBEC FOEVER ARCE
TU3PQ19	PT QUEBEC SELENI GRAY	TU3PQ37	PT QUEBEC FOEVER TILO
TU3PQ20	PT QUEBEC SELENI BLACK	TU3PQ38	PT QUEBEC FOEVER OLIVO
TU3PQ21	PT QUEBEC SELENI COFFEE		

MODEL	*PRICE (€)	PIECES FORMAT	PANELS FORMAT
QUEBEC	61,10	20x120	586x1500

\*Estimated price pieces included

VOLVER AL ÍNDICE  
RETURN TO INDEX



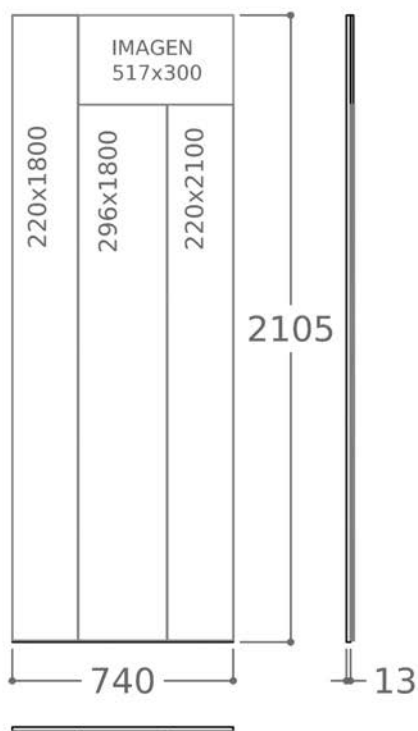
### EXHIBITOR PACKING

MODEL	*PRICE (€)	N. PANELS	PANELS	LENGHT (mm)	WIDTH (mm)	HEIGHT (mm)	WEIGHT (Kg)
TORONTO	427,20	6	TORONTO	2100	860	930	179

Sólo disponible para Paneles TORONTO -maderas de 22,5x180 y 30x180-  
 Only available for TORONTO Panels -22,5x180 and 30x180 wood series-

\*Panels not included

## TU3PT... TORONTO PANELS



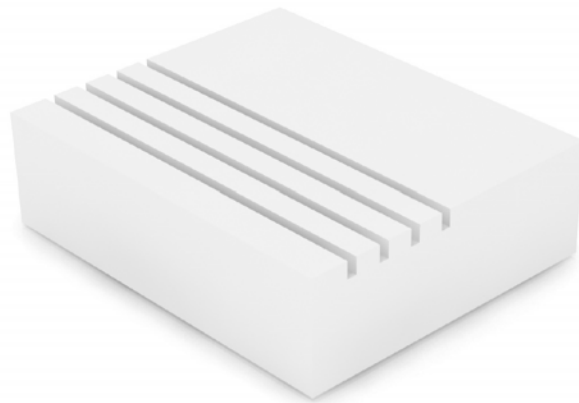
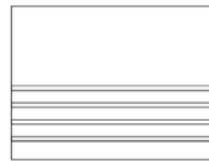
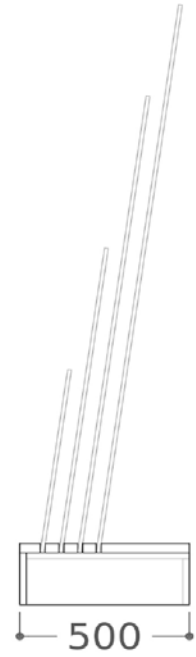
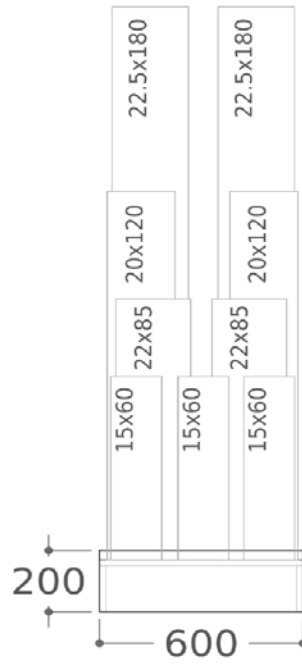
COD.	ITEM
TU3PT01	PT TORONTO ORIGIN GRAY
TU3PT02	PT TORONTO ORIGIN SILVER
TU3PT03	PT TORONTO ORIGIN TAN
TU3PT04	PT TORONTO ORIGIN UMBER
TU3PT05	PT TORONTO ORIGIN SAND
TU3PT06	PT TORONTO DILUCA WHITE
TU3PT07	PT TORONTO DILUCA TAN
TU3PT08	PT TORONTO DILUCA UMBER



MODEL	*PRICE (€)	PIECES FORMAT	PANELS FORMAT
TORONTO	105,30	22,5x180 30x180	740x2105

\*Estimated price pieces included

TUPOR\_19 PEINE 60

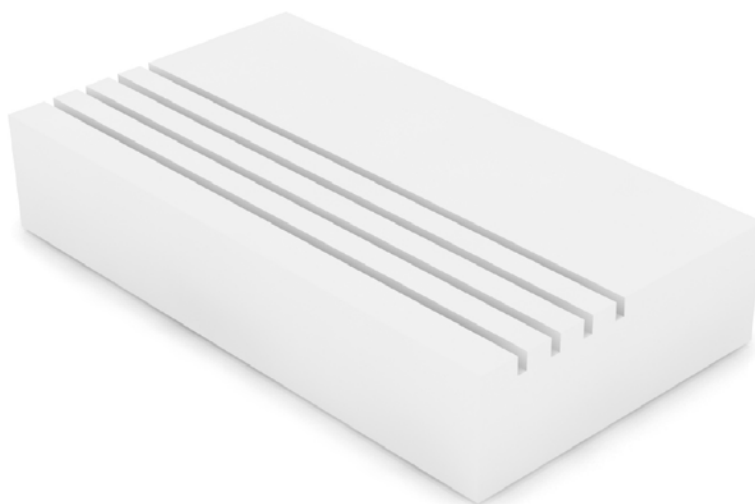
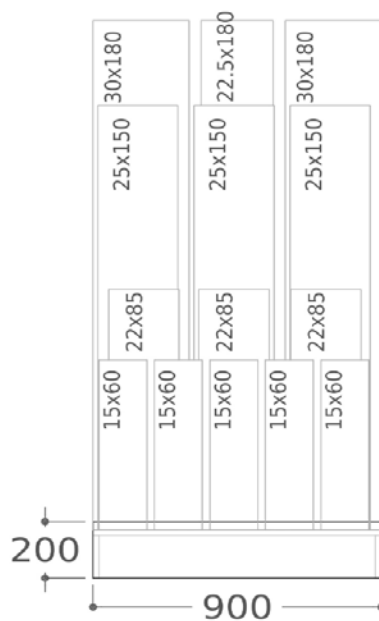


### EXHIBITOR PACKING

MODEL	*PRICE (€)	N. GROOVES	PIECES FORMAT	LENGHT (mm)	WIDTH (mm)	HEIGHT (mm)	WEIGHT (Kg)
PEINE 60	174,40	4	15x60 20x120 22.5x180 30x180 25x150	660	560	260	17

\*Pieces not included

TUPOR\_20 PEINE 90



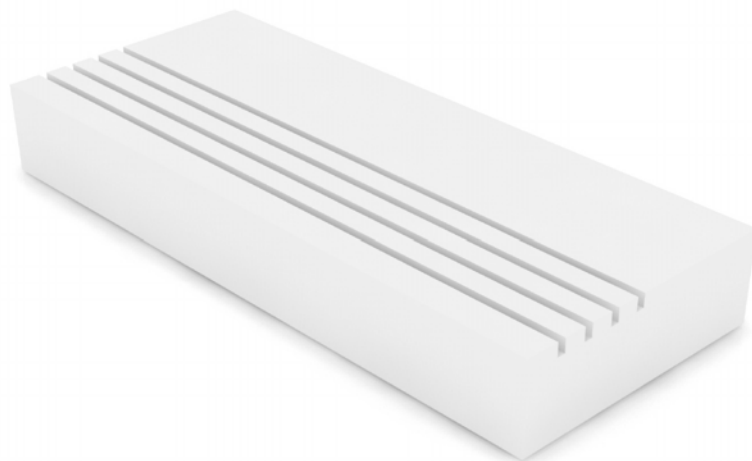
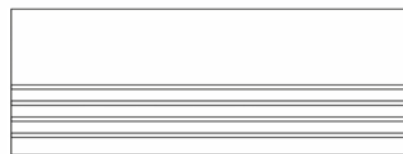
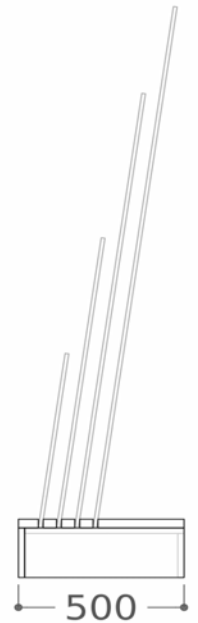
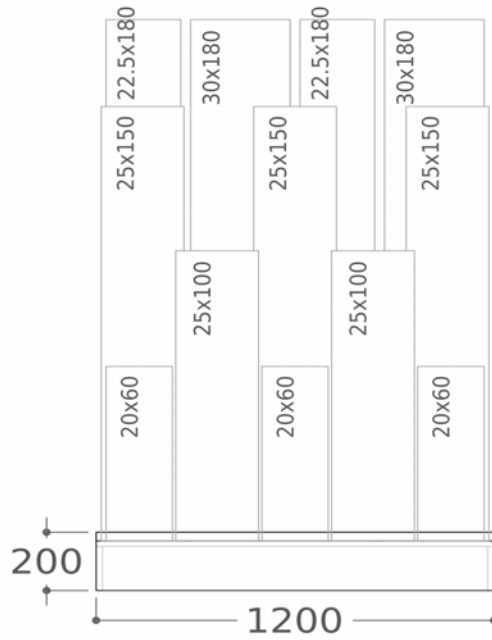
### EXHIBITOR PACKING

MODEL	*PRICE (€)	N. GROOVES	PIECES FORMAT	LENGHT (mm)	WIDTH (mm)	HEIGHT (mm)	WEIGHT (Kg)
PEINE 90	188,40	4	15x60 20x120 22,5x180 30x180 25x150	960	560	260	25

\*Pieces not included

VOLVER AL ÍNDICE  
RETURN TO INDEX

TUPOR\_21 PEINE 120



## EXHIBITOR PACKING

MODEL	*PRICE (€)	N. GROOVES	PIECES FORMAT	LENGHT (mm)	WIDTH (mm)	HEIGHT (mm)	WEIGHT (Kg)
PEINE 120	214,80	4	15x60 20x120 22,5x180 30x180 25x150	1260	560	260	33

\*Pieces not included

VOLVER AL ÍNDICE  
RETURN TO INDEX

## ZONA MADERAS

# TAU

TUMK\_4 TRASERA 60 Pegasus

TUMK\_8 TRASERA 60 Melamina



PEGASUS: Trasera pegada a pared con cinta a doble cara.

PEGASUS: Back picture poster stuck to wall with double sided tape.

MELAMINA: Trasera atornillada a pared.

MELAMINA: Back picture poster screwed to wall.

MODEL	*PRICE (€)	LENGHT (mm)	HEIGHT (mm)
TRASERA 60 Pegasus	79,20	600	2500
TRASERA 60 Melamina	136,80	600	2500

# ZONA MADERAS

- TUMK\_5
TRASERA 90
Pegasus
- TUMK\_9
TRASERA 90
Melamina



PEGASUS: Trasera pegada a pared con cinta a doble cara.  
 PEGASUS: Back picture poster stuck to wall with double sided tape.

MELAMINA: Trasera atornillada a pared.  
 MELAMINA: Back picture poster screwed to wall.

MODEL	*PRICE (€)	LENGHT (mm)	HEIGHT (mm)
TRASERA 90 Pegasus	117,60	900	2500
TRASERA 90 Melamina	172,80	900	2500



# ZONA MADERAS

# TAU

TUMK\_6 TRASERA 120 Pegasus

TUMK\_10 TRASERA 120 Melamina



PEGASUS: Trasera pegada a pared con cinta a doble cara.

PEGASUS: Back picture poster stuck to wall with double sided tape.

MELAMINA: Trasera atornillada a pared.

MELAMINA: Back picture poster screwed to wall.

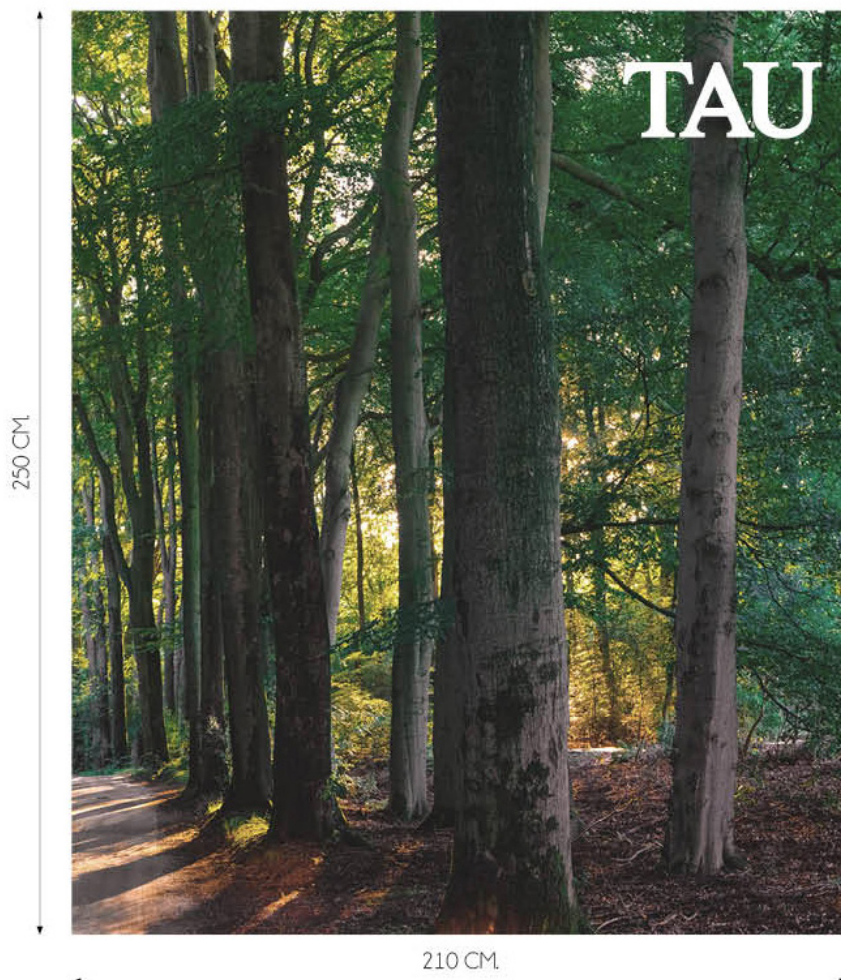
MODEL	*PRICE (€)	LENGHT (mm)	HEIGHT (mm)
TRASERA 120 Pegasus	160,80	1200	2500
TRASERA 120 Melamina	205,20	1200	2500

## ZONA MADERAS

# TAU

TUMK\_7 TRASERA 210 Pegasus

TUMK\_11 TRASERA 210 Melamina



PEGASUS: Trasera pegada a pared con cinta a doble cara.

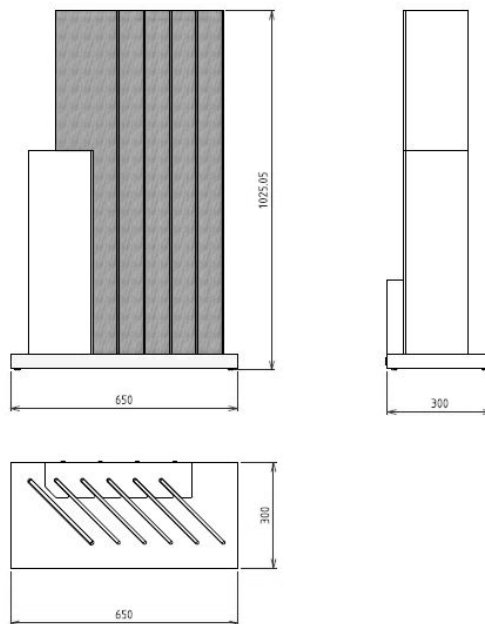
PEGASUS: Back picture poster stuck to wall with double sided tape.

MELAMINA: Trasera atornillada a pared.

MELAMINA: Back picture poster screwed to wall.

MODEL	*PRICE (€)	LENGHT (mm)	HEIGHT (mm)
TRASERA 210 Pegasus	280,80	2100	2500
TRASERA 210 Melamina	380,40	2100	2500

## TUEXP\_5 EXPOSITOR 25x150 WOODS



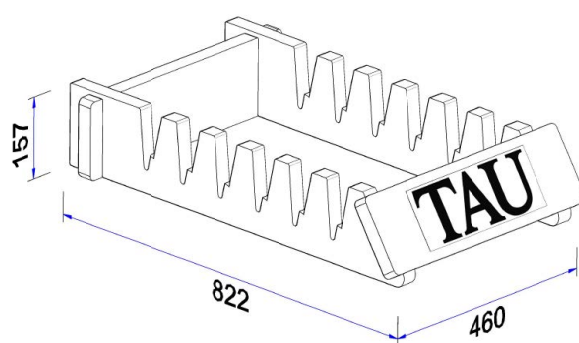
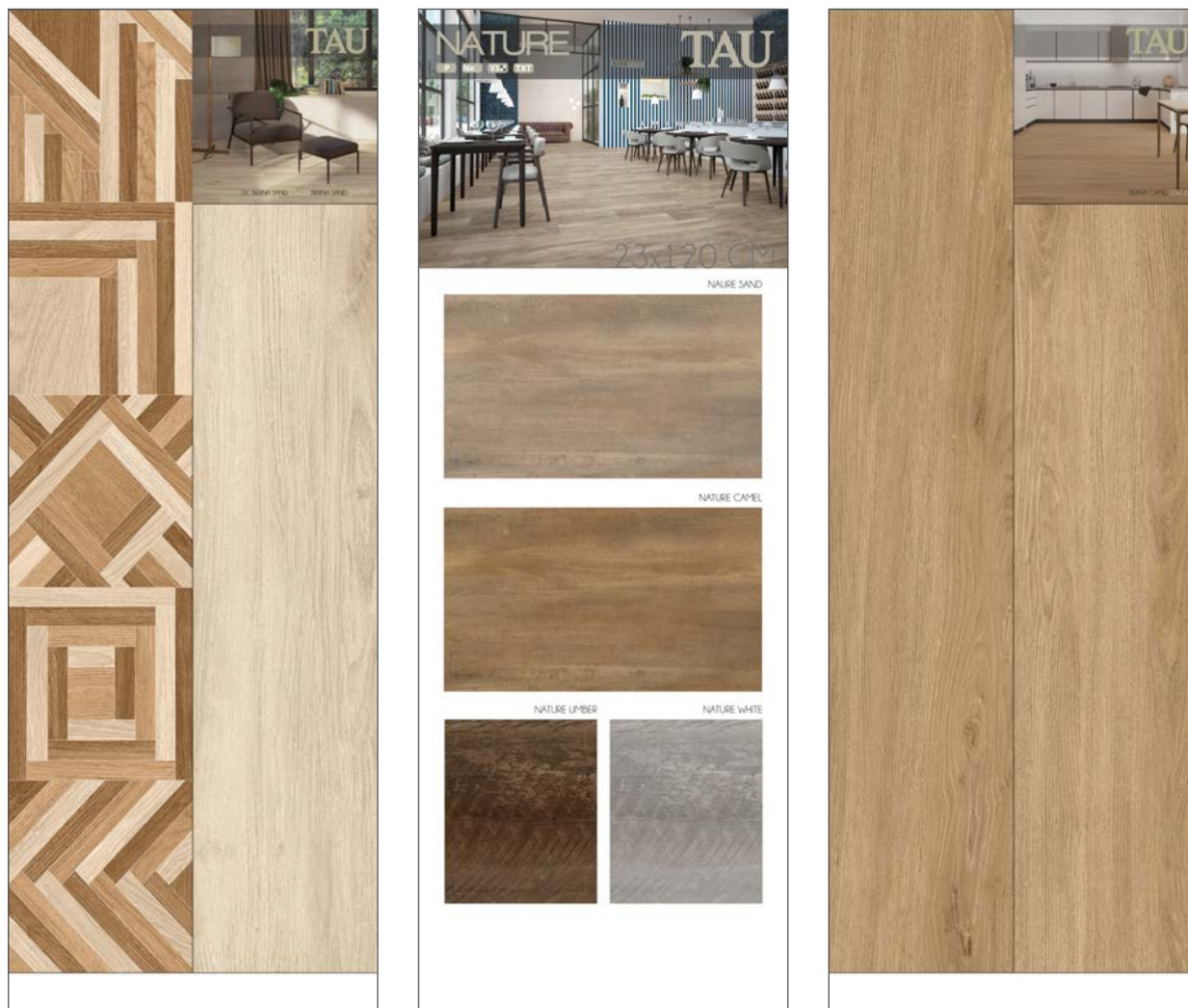
### EXHIBITOR PACKING

MODEL	*PRICE (€)	N. GROOVES	PIECES FORMAT	LENGHT (mm)	WIDTH (mm)	HEIGHT (mm)	WEIGHT (Kg)
25x150 WOODS	70,80	5	25x150	700	320	120	10

\*Pieces not included

VOLVER AL ÍNDICE  
RETURN TO INDEX

## TUPOR\_33 CUNA MADERAS 23x120



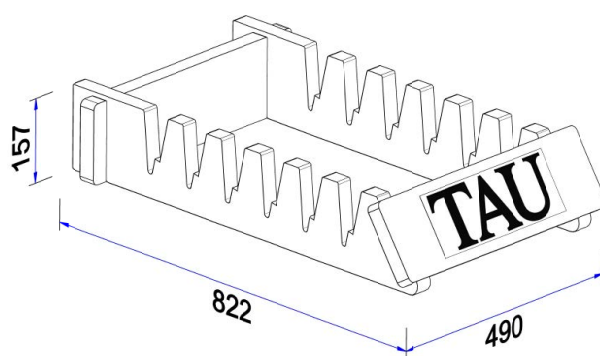
### EXHIBITOR PACKING

MODEL	PRICE (€)	N. GROOVES	PIECES FORMAT	LENGHT (mm)	WIDTH (mm)	HEIGHT (mm)	WEIGHT (Kg)
23x120 WOODS	66,00	6	23x120	850	500	180	3

TUPOR\_31 Cuna Maderas 23x120 (Nacional)

TUPOR\_36 Cuna Maderas 23x120 (USA)

## TUPOR\_35 CUNA MADERAS 25x150

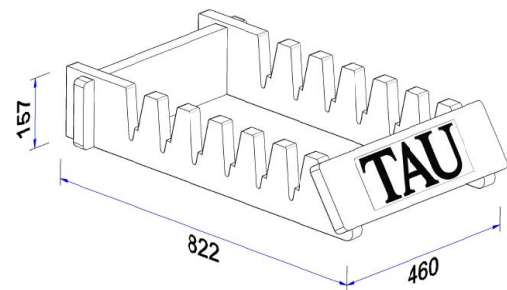
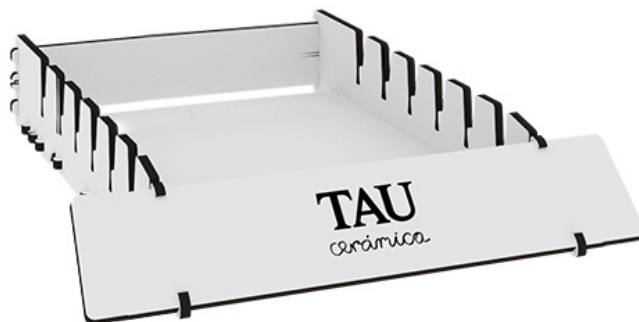


### EXHIBITOR PACKING

MODEL	PRICE (€)	N. GROOVES	PIECES FORMAT	LENGHT (mm)	WIDTH (mm)	HEIGHT (mm)	WEIGHT (Kg)
25x150 WOODS	66,00	6	25x150	850	510	180	3

TUPOR\_35 Cuna Maderas 23x120 (Francia)

## TUPOR\_27 PORTADISPLAYS MADERA 20X75



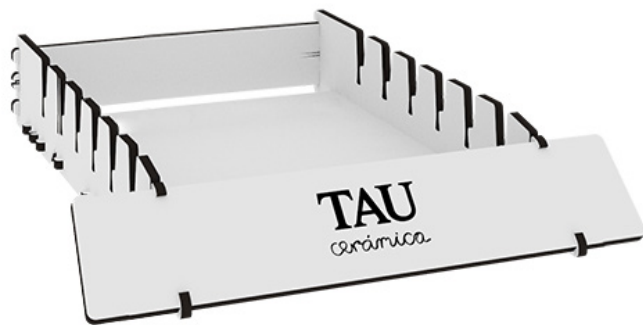
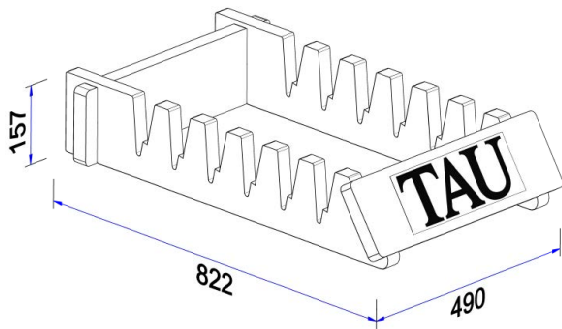
### EXHIBITOR PACKING

MODEL	*PRICE (€)	N. PANELS	PANEL SIZE (mm)	LENGHT (mm)	WIDTH (mm)	HEIGHT (mm)	WEIGHT (Kg)
PORTADISPLAYS MADERA 20X75	23,88	10	20X75	-	-	-	5

\*Panels not included

VOLVER AL ÍNDICE  
RETURN TO INDEX

## TUPOR\_37 PORTADISPLAYS 20X120 (F)



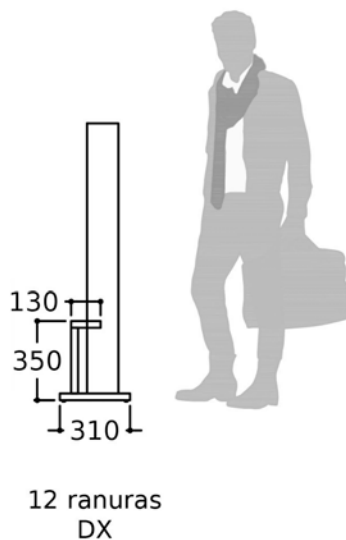
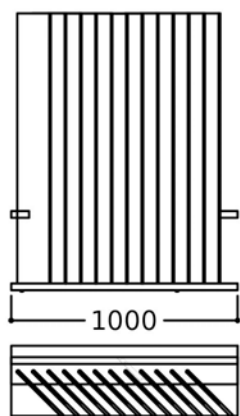
### EXHIBITOR PACKING

MODEL	*PRICE (€)	N. PANELS	PANEL SIZE (mm)	LENGHT (mm)	WIDTH (mm)	HEIGHT (mm)	WEIGHT (Kg)
PORTADISPLAYS 20X120 (F)	66	6	20X120	-	-	-	4

\*Panels not included

VOLVER AL ÍNDICE  
RETURN TO INDEX

TUEXP\_11 ALABAMA 12P



### EXHIBITOR PACKING

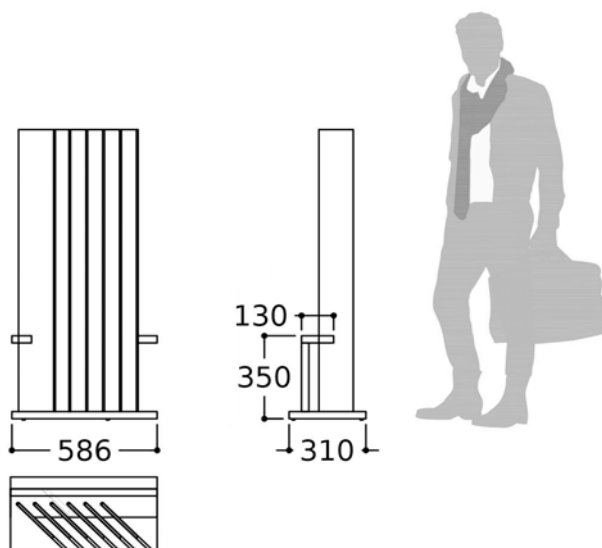
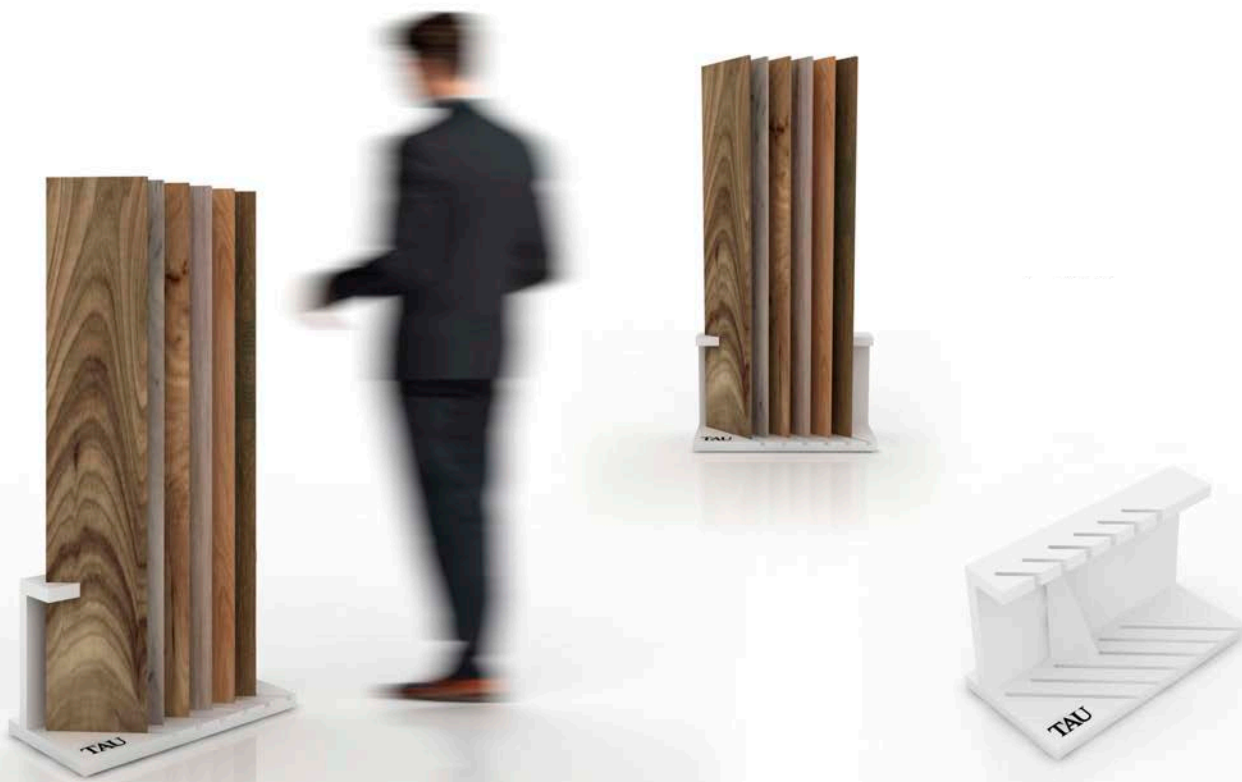
MODEL	*PRICE (€)	N. PIECES	PIECES FORMAT	LENGHT (mm)	WIDTH (mm)	HEIGHT (mm)	WEIGHT (Kg)
ALABAMA 12P	85,20	12	20x120 22,5x180 30x180 25x150	1050	365	120	54

\*Pieces not included

VOLVER AL ÍNDICE  
RETURN TO INDEX



TUEXP\_12 ALABAMA 6P



### EXHIBITOR PACKING

MODEL	*PRICE (€)	N. PIECES	PIECES FORMAT	LENGHT (mm)	WIDTH (mm)	HEIGHT (mm)	WEIGHT (Kg)
ALABAMA 6P	66	6	20x120 22,5x180 30x180 25x150	640	365	120	31

\*Pieces not included

VOLVER AL ÍNDICE  
RETURN TO INDEX

MIX

---

TUMSM0... ASA + CANTONERAS



MODEL	*PRICE (€)
ASA + 2 CANTONERAS	3,10

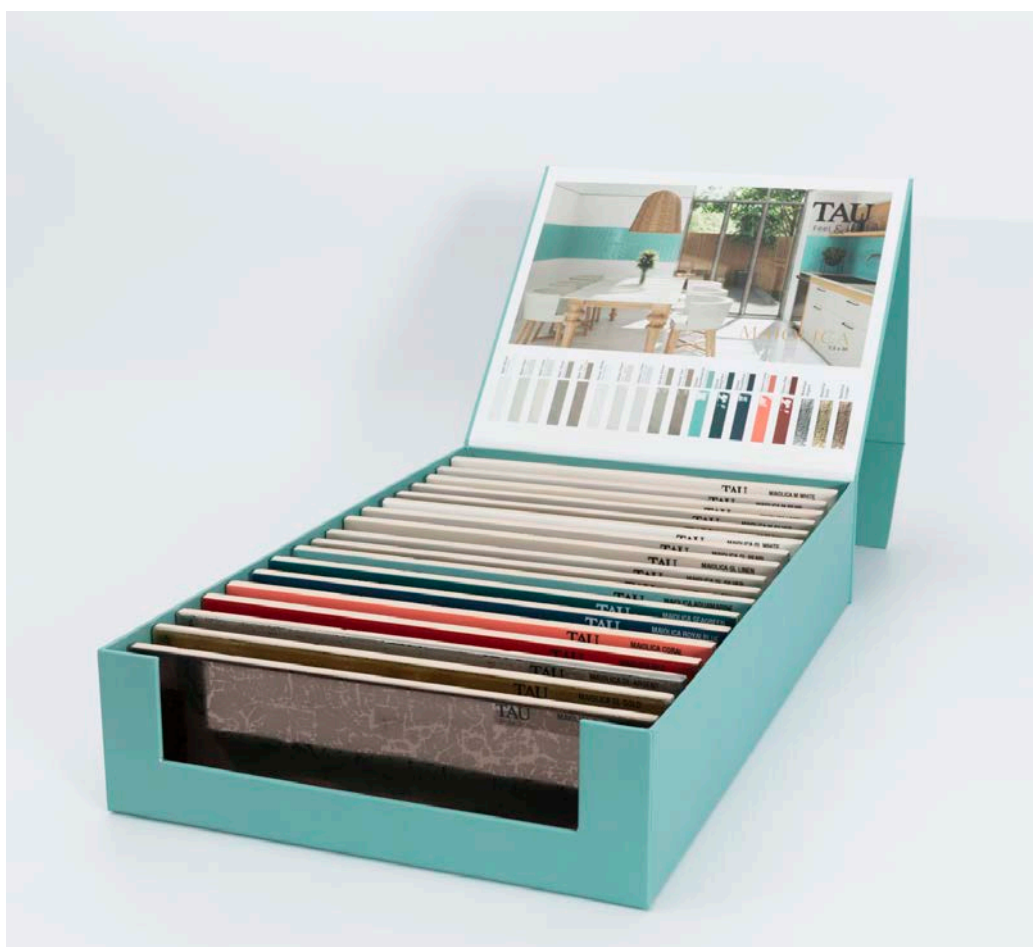
\*Panels not included

## TUEXP\_109 PELDAÑERA



MODEL	*PRICE (€)	N. PANELS	WEIGHT (Kg)
PELDAÑERA	144	5	35

TUBOX\_17 CAJA MAIOLICA 7,5X30



EXHIBITOR PACKING

MODEL	*PRICE (€)	N. PIECES	PIECES FORMAT	LENGHT (mm)	WIDTH (mm)	HEIGHT (mm)	WEIGHT (Kg)
CAJA MAIOLICA	17,90	18	7,5X30	500	315	100	7

TUBOX\_20 CAJA MURADA 10X40



EXHIBITOR PACKING

MODEL	*PRICE (€)	N. PIECES	PIECES FORMAT	LENGHT (mm)	WIDTH (mm)	HEIGHT (mm)	WEIGHT (Kg)
CAJA MURADA	98,80	18	7,5X30	520	415	125	13,5

TUBOX\_21 CAJA OUTDOOR 20 TACOS



EXHIBITOR PACKING

MODEL	*PRICE (€)	N. PIECES	PIECES FORMAT	LENGHT (mm)	WIDTH (mm)	HEIGHT (mm)	WEIGHT (Kg)
CAJA OUTDOOR	74.352	20	120x140x20mm	330	330	140	-

TUBOX\_22 Caja Outdoor (Nacional)

\*Pieces not included

VOLVER AL ÍNDICE  
RETURN TO INDEX

TUEXP\_110 EXPOSITOR 20x20 (120x260)



MODEL	*PRICE (€)	N. PANELS	PANEL SIZE (mm)
EXPOSITOR TACOS 20X20 (120X260)	114,72	23	20X20

\*Panels not included

VOLVER AL ÍNDICE  
RETURN TO INDEX



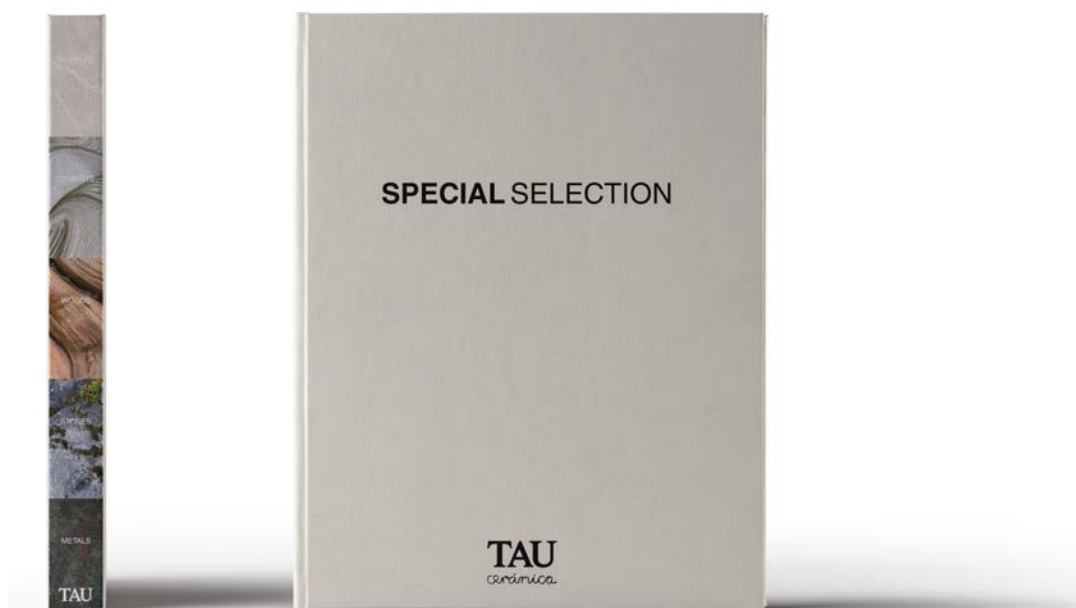
## TUFOLD... FOLDERS POR SERIE 2021



## PACKING

MODEL	PRICE (€)	CODE	LENGHT (mm)	WIDTH (mm)	HEIGHT (mm)	WEIGHT (Kg)
CASTROVILLARI	18.90	TUFOLD33	215	40	295	3
COSMOPOLITA	18.90	TUFOLD34	215	40	295	3
FIDENZA	18.90	TUFOLD35	215	40	295	3
PALOMASTONE	18.90	TUFOLD36	215	40	295	3
ROADSTONE	18.90	TUFOLD37	215	40	295	3
ALTAMURA	18.90	TUFOLD38	215	40	295	3
CORTEN / METAL	18.90	TUFOLD39	215	40	295	3
EMPORIO / VARENNA / NANTES	18.90	TUFOLD40	215	40	295	3
ORIGIN / BOHARS / RAGUSA	18.90	TUFOLD41	215	40	295	3
DEVON	18.90	TUFOLD42	215	40	295	3

TUFOLD24 FOLDER GENÉRICO TRÍPTICO

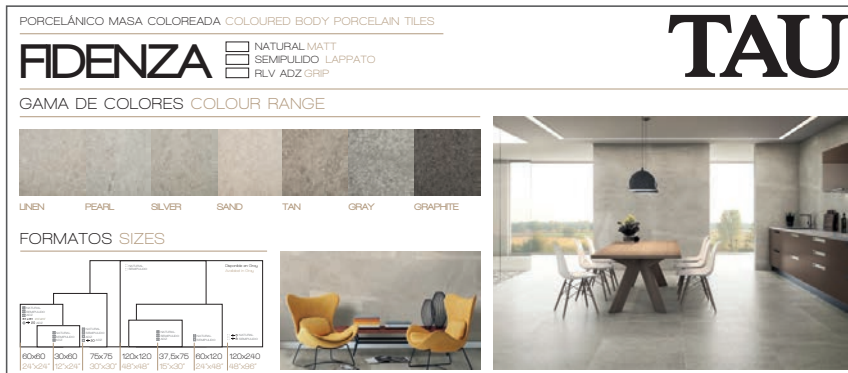


EXHIBITOR PACKING

MODEL	*PRICE (€)	LENGHT (mm)	WIDTH (mm)	HEIGHT (mm)	WEIGHT (Kg)
FOLDER GENÉRICO	23,196	260	30	335	2

TUMK12

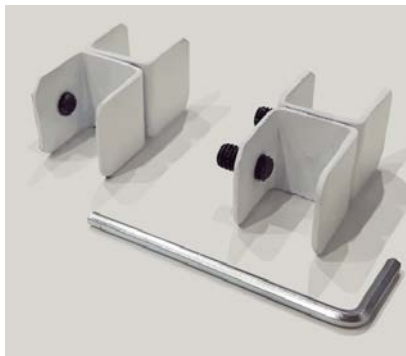
CARTEL COMUNICACION + KIT SOPORTE CARTEL



30 cm



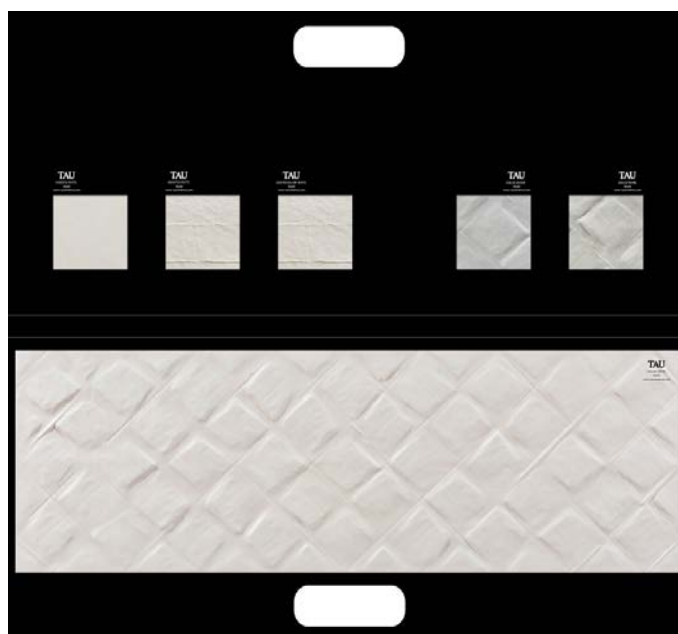
65 cm



MODEL	*PRICE (€)	FORMAT
CARTEL COMUNICACION	10,52	65X30
KIT SOPORTE (2H + allen)	6,00	

TUCARP\_1 CARPETA 30X90

\*Disponibile solo para agentes.



EXHIBITOR PACKING

MODEL	*PRICE (€)	LENGHT (mm)	WIDTH (mm)	HEIGHT (mm)	WEIGHT (Kg)
CARPETA 30X90	21,19	920	50	410	-

TUCARP\_2 CARPETA 37,5X75

\*Disponibile solo para agentes.



EXHIBITOR PACKING

MODEL	*PRICE (€)	LENGHT (mm)	WIDTH (mm)	HEIGHT (mm)	WEIGHT (Kg)
CARPETA 37,5X75	21,19	770	50	485	-

TUCARP\_3 CARPETA 33,3X100

\*Disponibile solo para agentes.



EXHIBITOR PACKING

MODEL	*PRICE (€)	LENGHT (mm)	WIDTH (mm)	HEIGHT (mm)	WEIGHT (Kg)
CARPETA 33,3X100	23,80	1040	50	520	-

TUCARP\_ CARPETA 33,3X100 COMPOSICIONES

TUCARP\_001



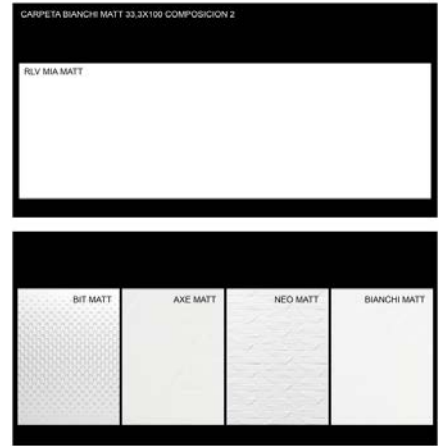
BARANELLO WHITE MATT 33,3x100 + RLV LINE BARANELLO WHITE MATT 33,3x100

TUCARP\_003



BARANELLO WHITE MATT 33,3x100 + BARANELLO SAMPLES

TUCARP\_005



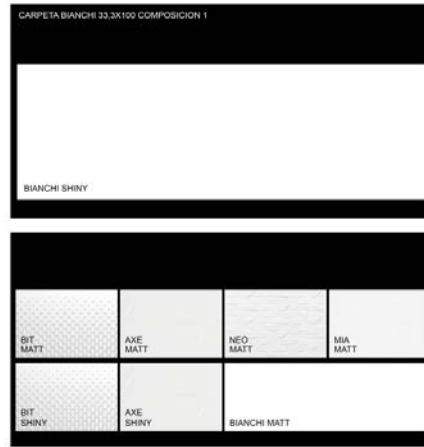
RLV MIA BIANCHI MATT 33,3x100 + BIANCHI SAMPLES

TUCARP\_002



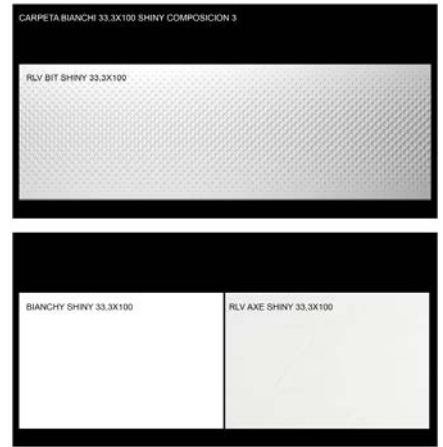
BARANELLO WHITE SHINY 33,3x100 + RLV AXE BARANELLO WHITE SHINY 33,3x100

TUCARP\_004



BIANCHI SHINY 33,3x100 + BIANCHI SAMPLES

TUCARP\_006



RLV BIT BIANCHI SHINY 33,3x100 + BIANCHI SAMPLES

EXHIBITOR PACKING

MODEL	*PRICE (€)	LENGHT (mm)	WIDTH (mm)	HEIGHT (mm)	WEIGHT (Kg)
CARPETA 33,3X100	23,80	1040	50	520	-

TUCARP\_ CARPETA 33,3X100 COMPOSICIONES

TUCARP\_007



RLV ESSENCE LINE WHITE 33,3x100 + ESSENCE SAMPLES

TUCARP\_009



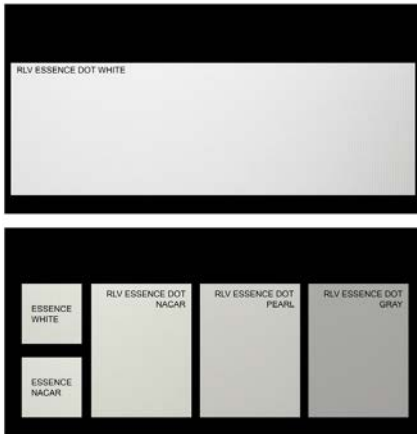
RLV ESSENCE CUBE WHITE 33,3x100 + RLV ESSENCE CUBE NACAR 33,3x100

TUCARP\_011



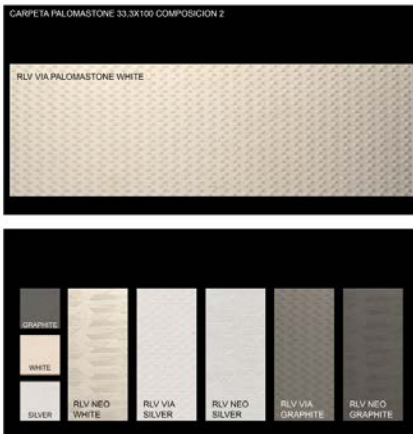
PALOMASTONE SILVER 33,3x100 + RLV NEO PALOMASTONE GRAPHITE 33,3x100

TUCARP\_008



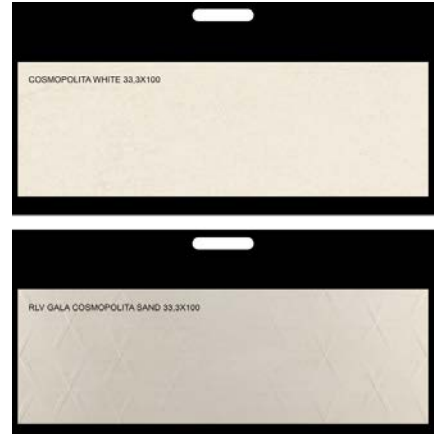
RLV ESSENCE DOT WHITE 33,3x100 + ESSENCE SAMPLES

TUCARP\_010



RLV VIA PALOMASTONE WHITE 33,3x100 + PALOMASTONE SAMPLES

TUCARP\_012



COSMOPOLITA WHITE 33,3x100 + RLV GALA COSMOPOLITA SAND 33,3x100

EXHIBITOR PACKING

MODEL	*PRICE (€)	LENGHT (mm)	WIDTH (mm)	HEIGHT (mm)	WEIGHT (Kg)
CARPETA 33,3X100	23,80	1040	50	520	-



TUCARP\_ CARPETA 33,3X100 COMPOSICIONES

TUCARP\_013



COSMOPOLITA SILVER 33,3x100 + RLV DELTA COSMOPOLITA GRAY 33,3x100

EXHIBITOR PACKING

MODEL	*PRICE (€)	LENGHT (mm)	WIDTH (mm)	HEIGHT (mm)	WEIGHT (Kg)
CARPETA 33,3X100	23,80	1040	50	520	-

\*Panels not included



EXHIBITOR PACKING

MODEL	*PRICE (€)	N. PANELS	PANEL SIZE (mm)	LENGHT (mm)	WIDTH (mm)	HEIGHT (mm)	WEIGHT (Kg)
CARPETA GÉNESIS	9999	9999	99x99	999x999	999x999	999x999	99999

\*Panels not included

TUPOR\_32 PERCHERO MOSAICOS



EXHIBITOR PACKING

MODEL	DISPLAYS	PRICE (€)	LENGHT (mm)	WIDTH (mm)	HEIGHT (mm)	WEIGHT (Kg)
PERCHERO MOSAICOS	18	416,112	-	-	-	-

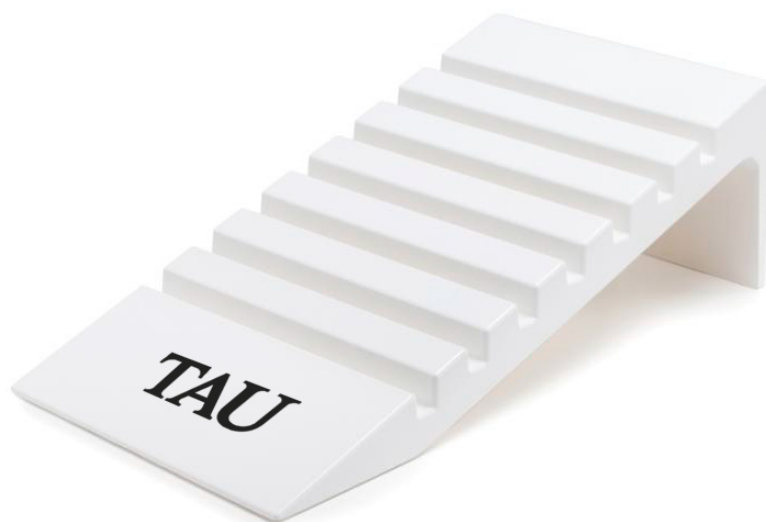
TUPOR\_38 Perchero Mosaicos (USA)

TULOGO\_8 LOGO TAU METRACRILATO NEGRO



MODEL	*PRICE (€)	FORMAT
LOGO TAU	3,50	150X150X3

TUPOR\_3 PORTAPIEZAS ESPESORADO

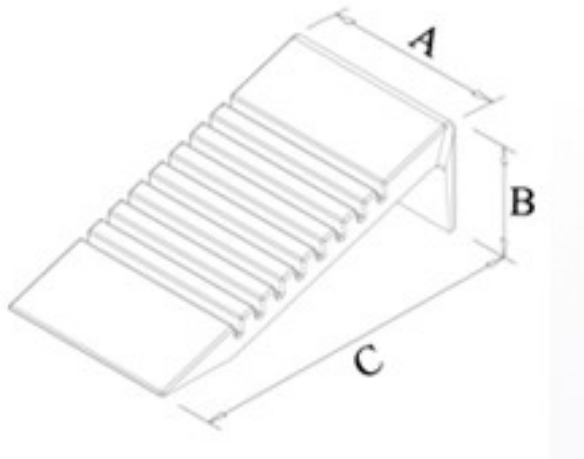


EXHIBITOR PACKING

MODEL	*PRICE (€)	N. PIECES	PIECES FORMAT	LENGHT (mm)	WIDTH (mm)	HEIGHT (mm)	WEIGHT (Kg)
PORTAPIEZAS ESPESORADO	64,20	7	75X75 61X61	780	417	252	4,1

\*Panels not included

TUPOR\_9 PORTAPIEZAS EXTERIOR



	A	B	C
Cm	41,7	25,2	78
Inch	16,4	10	30,7



EXHIBITOR PACKING

MODEL	*PRICE (€)	N. PIECES	PIECES FORMAT	LENGHT (mm)	WIDTH (mm)	HEIGHT (mm)	WEIGHT (Kg)
PORTAPIEZAS EXTERIOR	72	8	60X120 / 75X75 60X60	780	417	252	4.2

TUBOX\_2 TAU A&D BOX



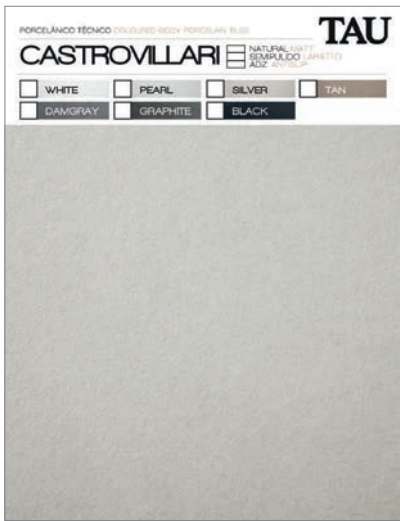
EXHIBITOR PACKING

MODEL	*PRICE (€)	N. SAMPLES	SAMPLES FORMAT	LENGHT (mm)	WIDTH (mm)	HEIGHT (mm)	WEIGHT (Kg)
TAU A&D BOX	15	15	10X10 13X10	220	140	160	1

\*Panels not included

TUMK

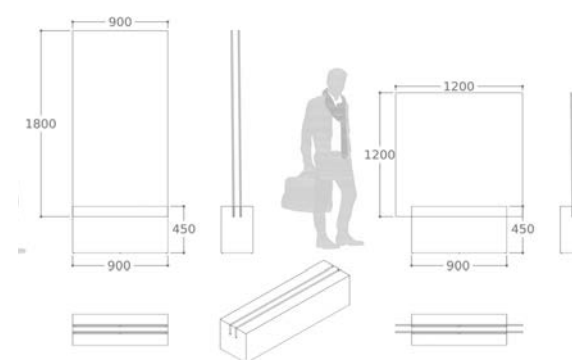
TRASERA TACO



MODEL	*PRICE (€)	SAMPLE FOR-MAT	BACK FORMAT
TRASERA TACO	1,30	100X100	130X100



TUPOR\_12 TUCSON



EXHIBITOR PACKING

MODEL	*PRICE (€)	N. PANELS	PIECES FORMAT	LENGHT (mm)	WIDTH (mm)	HEIGHT (mm)	WEIGHT (Kg)
TUCSON	154,02	2	75X150 120X120 90X180	920	230	470	55

\*Panels not included

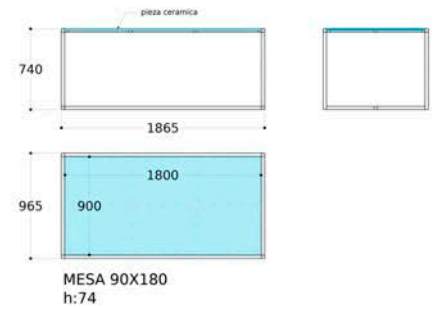
## TUEXP\_101 MESA 90x180 INFINITY ANTRACITA



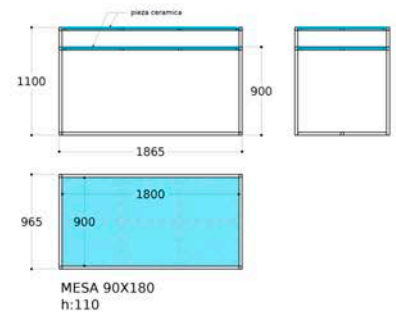
## EXHIBITOR PACKING

MODEL	*PRICE (€)	N. PIECES	PIECES FORMAT	LENGHT (mm)	WIDTH (mm)	HEIGHT (mm)	WEIGHT (Kg)
MESA INFINITY	180	1	90x180	1850	185	950	-

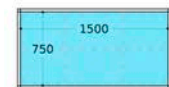
MESA BAJA



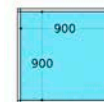
MESA ALTA



MEDIDAS



MESA 75x150 h:110



MESA 90x90 h:110



MESA 75x75 h:110

EXHIBITOR PACKING

MODEL	*PRICE (€)	N. PIECES	PIECES FORMAT	LENGHT (mm)	WIDTH (mm)	HEIGHT (mm)	WEIGHT (Kg)
MESA BAJA	-	1	90x180	1965	1065	890	200
MESA ALTA	-	1	90x180/75x150 90x90/75x75	1965	1065	1050	200

# MERCHANDISING

---

TUMSK01 LIBRETA MOLESKINE



MODEL	PRICE (€)	STRIP COLOURS*	SIZE (mm)
LIBRETA MOLESKINE TAU	3,82	BLUE GREEN	130x213

Bolígrafo no incluido  
Pen not included

\*Colours served randomly

VOLVER AL ÍNDICE  
RETURN TO INDEX

TUMSK03 BOLÍGRAFOS



150 mm

MODEL	PRICE (€)	COLOURS*	SIZE (mm)
BOLÍGRAFOS TAU	0,75	BLACK BLUE	-

\*Colours served randomly

TUMSK12 BOLÍGRAFO PREMIUM



MODEL	PRICE (€)	COLOURS	SIZE (mm)
BOLÍGRAFO BIC PREMIUM TAU	1,21	BLACK	-

TUMSK04 LÁPICES

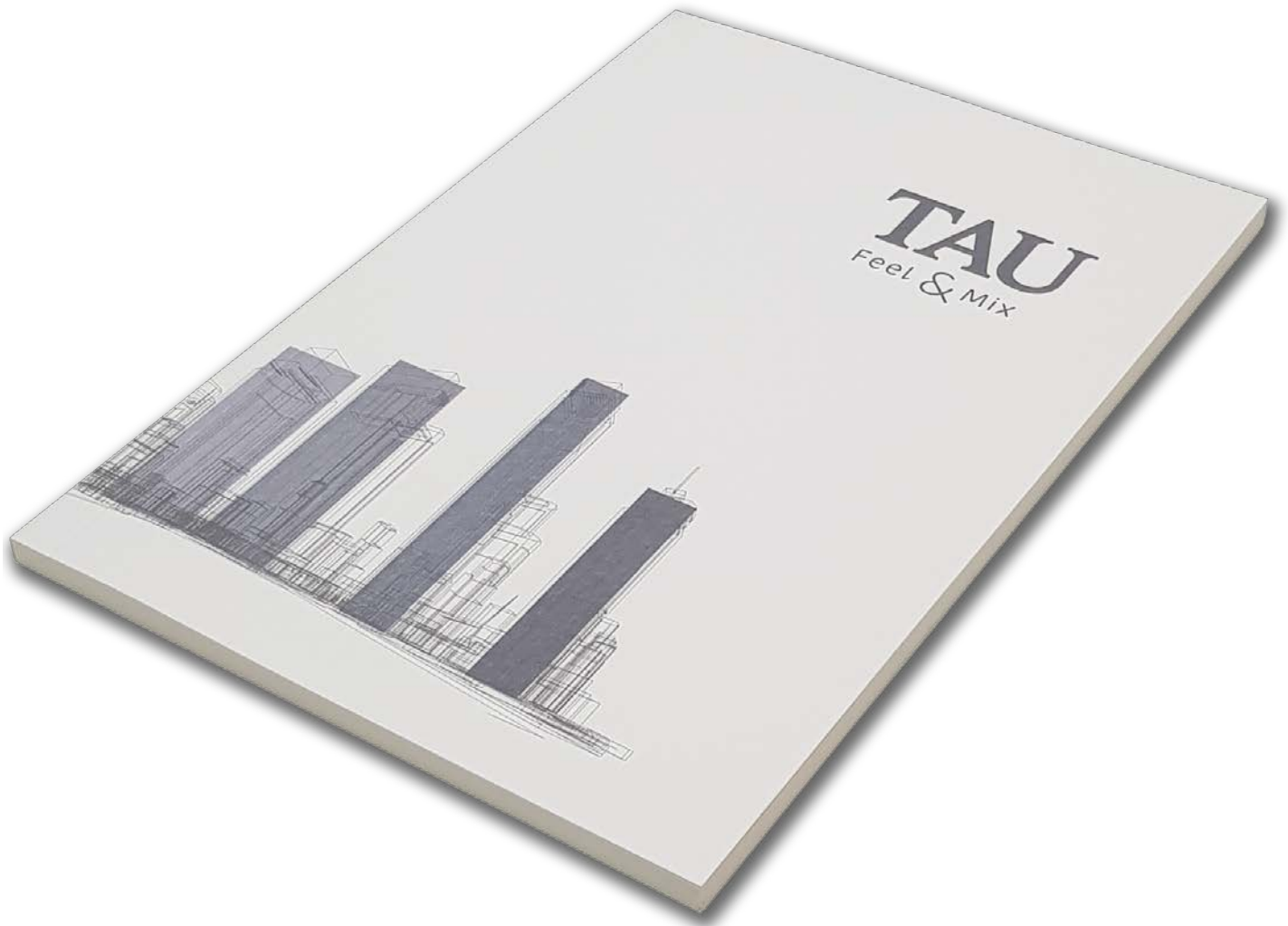


MODEL	PRICE (€)	COLOURS*	SIZE (mm)
LÁPICES TAU	0.19	WOOD WHITE BLACK	-

\*Colours served randomly



TUMSK08 BLOC DE NOTAS



MODEL	PRICE (€)	COLOURS	SIZE (mm)
BLOC DE NOTAS TAU	1,11	WHITE	148x210

TUMSK10 BOTELLA METAL



MODEL	PRICE (€)	MATERIAL	CAPACITY (ml)
BOTELLA METAL TAU	7.56	STAINLESS STEEL	500

## TUSHIRT... CAMISETAS TAU 2021



### HOMBRE - MAN

COLOUR	SIZE	PRICE (€)	CODE
WHITE	S	3,50	TUSHIRT44
	M		TUSHIRT45
	L		TUSHIRT46
	XL		TUSHIRT47
	XXL		TUSHIRT48

### HOMBRE - MAN

COLOUR	SIZE	PRICE (€)	CODE
GRAY	S	3,50	TUSHIRT35
	M		TUSHIRT36
	L		TUSHIRT37
	XL		TUSHIRT38
	XXL		TUSHIRT39

### MUJER - WOMAN

COLOUR	SIZE	PRICE (€)	CODE
WHITE	S	3,50	TUSHIRT40
	M		TUSHIRT41
	L		TUSHIRT42
	XL		TUSHIRT43

### MUJER - WOMAN

COLOUR	SIZE	PRICE (€)	CODE
GRAY	S	3,50	TUSHIRT49
	M		TUSHIRT50
	L		TUSHIRT51
	XL		TUSHIRT52

## TUSHIRT... CAMISETAS ASCALE 2021



### HOMBRE - MAN

COLOUR	SIZE	PRICE (€)	CODE
WHITE	S	3,50	TUSHIRT27
	M		TUSHIRT28
	L		TUSHIRT29
	XL		TUSHIRT30
	XXL		TUSHIRT31

### HOMBRE - MAN

COLOUR	SIZE	PRICE (€)	CODE
GRAY	S	3,50	TUSHIRT19
	M		TUSHIRT20
	L		TUSHIRT21
	XL		TUSHIRT22
	XXL		TUSHIRT23

### MUJER - WOMAN

COLOUR	SIZE	PRICE (€)	CODE
WHITE	S	3,50	TUSHIRT32
	M		TUSHIRT33
	L		TUSHIRT34
	XL		TUSHIRT54

### MUJER - WOMAN

COLOUR	SIZE	PRICE (€)	CODE
GRAY	S	3,50	TUSHIRT24
	M		TUSHIRT25
	L		TUSHIRT26
	XL		TUSHIRT53

# CATÁLOGOS

---

TUCAT\_170 PORCELAIN



**\*Importante:** cada catálogo posee un código diferente en función del departamento comercial al que está asignado.

MODEL	PRICE (€)	DEPARTMENT	CODE*	SIZE (mm)
CATÁLOGO PORCELÁNICO	14.40	MARKETING	TUCAT_170	248x308

TUCAT\_171 WALL TILE



**\*Importante:** cada catálogo posee un código diferente en función del departamento comercial al que está asignado.

MODEL	PRICE (€)	DEPARTMENT	CODE*	SIZE (mm)
CATÁLOGO REVESTIMIENTO	8,40	MARKETING	TUCAT_171	248x308

TUCAT\_172 MUST



**\*Importante:** cada catálogo posee un código diferente en función del departamento comercial al que está asignado.

MODEL	PRICE (€)	DEPARTMENT	CODE*	SIZE (mm)
CATÁLOGO MUST	6,43	MARKETING	TUCAT_172	248x308





**\*Importante:** cada catálogo posee un código diferente en función del departamento comercial al que está asignado.

MODEL	PRICE (€)	DEPARTMENT	CODE*	SIZE (mm)
CATÁLOGO DE NOVEDADES	7,00	MARKETING	TUCAT_173	248x308



**\*Importante:** cada catálogo posee un código diferente en función del departamento comercial al que está asignado.

MODEL	PRICE (€)	DEPARTMENT	CODE*	SIZE (mm)
CATÁLOGO DE BIG SIZES	4,5	MARKETING	TUCAT_250	248x308

TUCAT\_269 OUTDOOR



**\*Importante:** cada catálogo posee un código diferente en función del departamento comercial al que está asignado.

MODEL	PRICE (€)	DEPARTMENT	CODE*	SIZE (mm)
CATÁLOGO DE OUTDOOR	4,5	MARKETING	TUCAT_2	248x308

\*Panels not included

VOLVER AL ÍNDICE  
RETURN TO INDEX